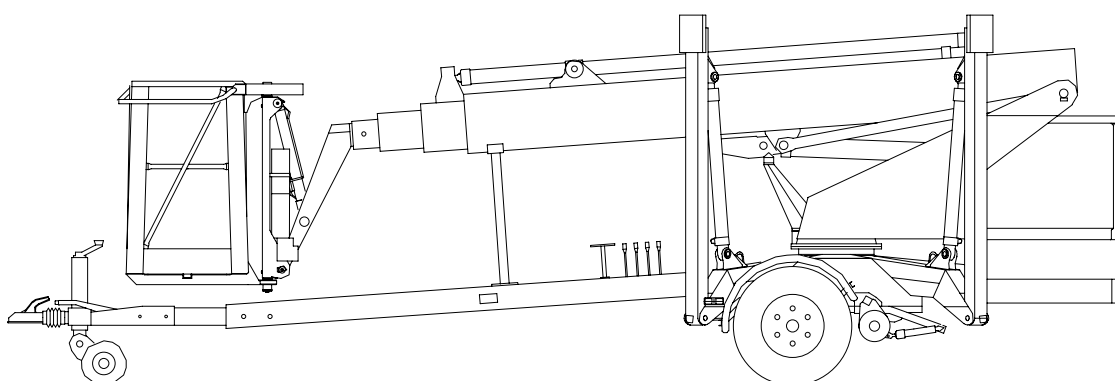


**RESERVEDELS-
KATALOG**

**SPARE PARTS
CATALOGUE**

**ERSATZTEILS-
KATALOG**

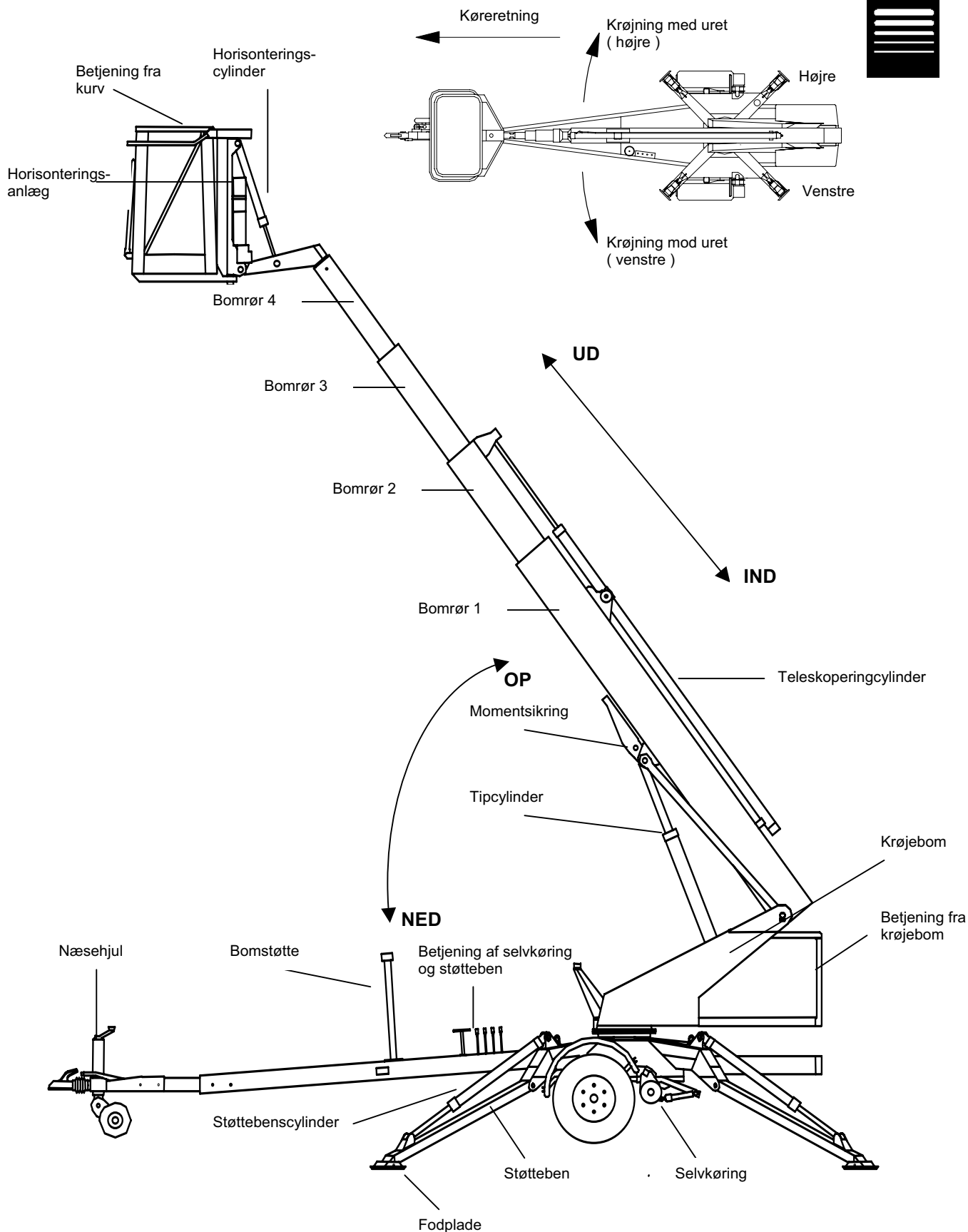


DL18/21
DL16

Version – 07.2004

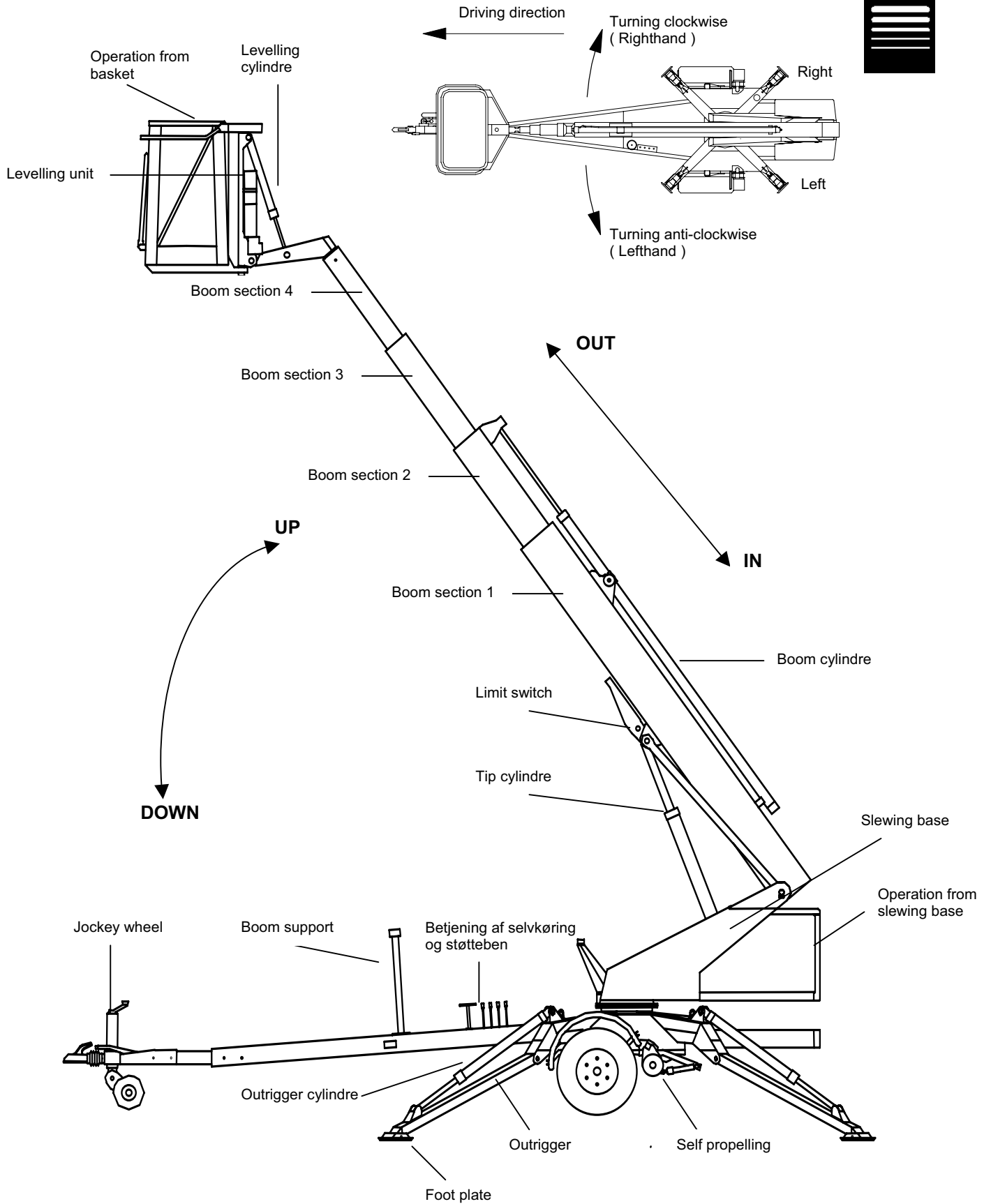
Liftbeskrivelse – DL18-21

På denne side forklares en del funktioner og begreber, der anvendes i reservedelskataloget. Hvis der ønskes yderligere oplysninger, kontakt os da venligst.



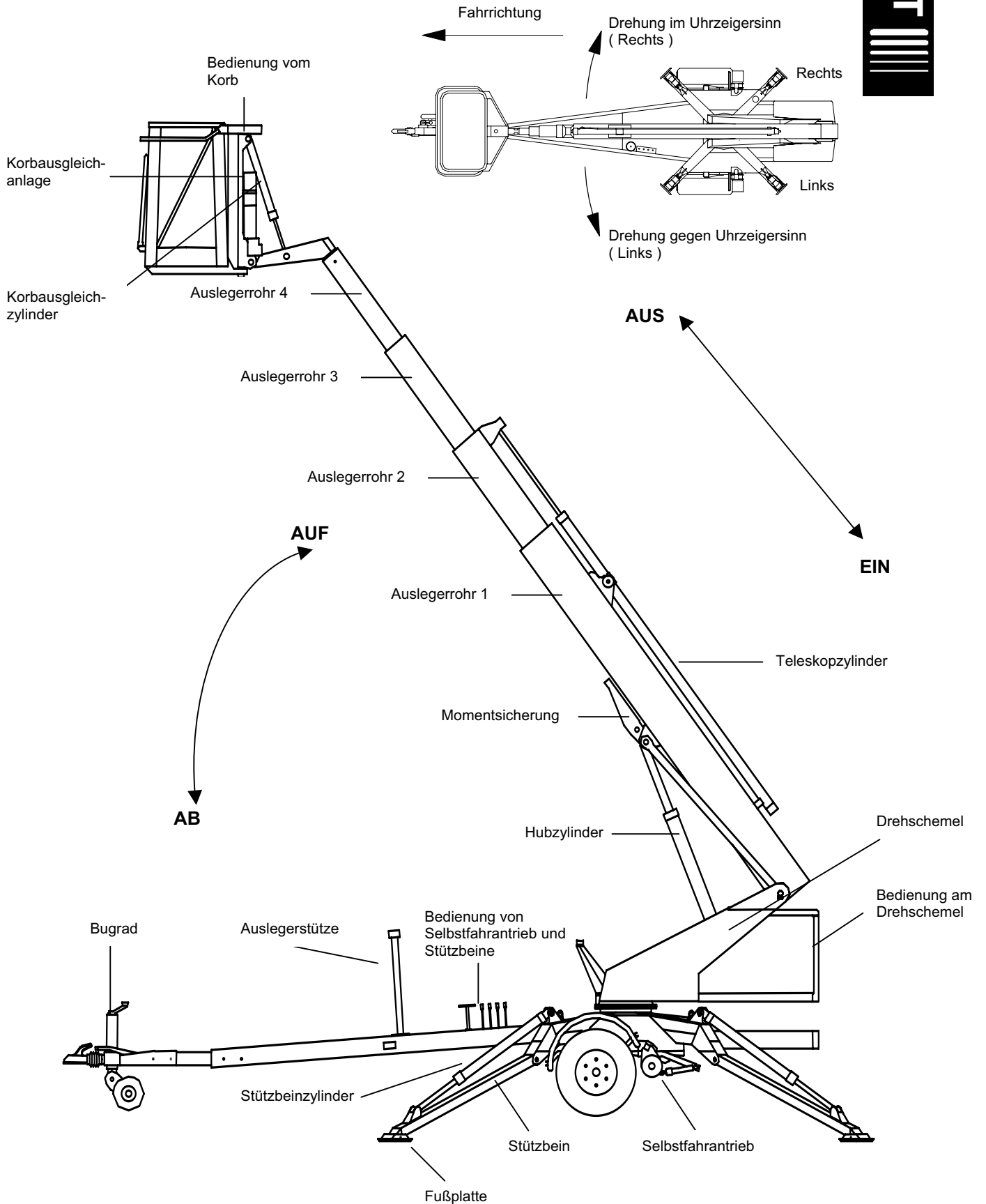
Description of the lift – DL18-21

At this page some functions and constructions mentioned in the spare part catalogue are explained. If you need further information, please contact us.



Beschreibung des Liftes – DL18-21

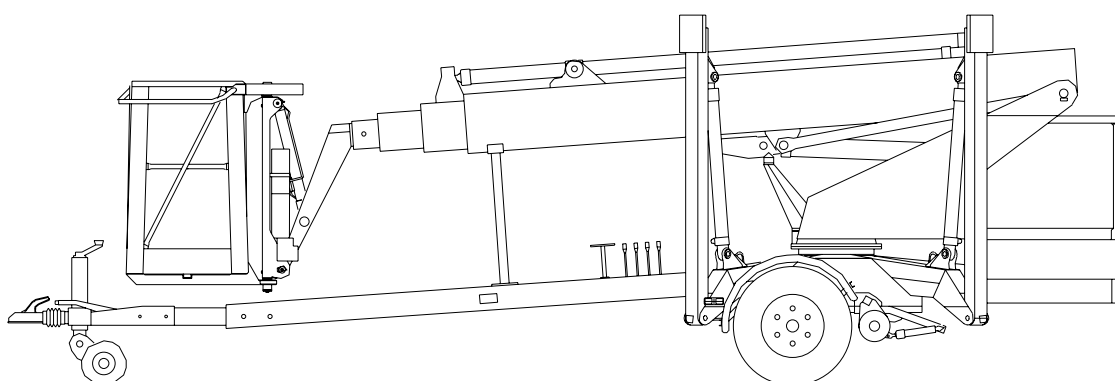
An dieser Stelle werden einige der Funktionen und Begriffe erklärt, die in den Ersatzteilkatalog benutzt werden. Falls Sie weitere Technische Daten brauchen, bitten wir Ihnen uns zu kontaktieren.



**RESERVEDELS-
KATALOG**

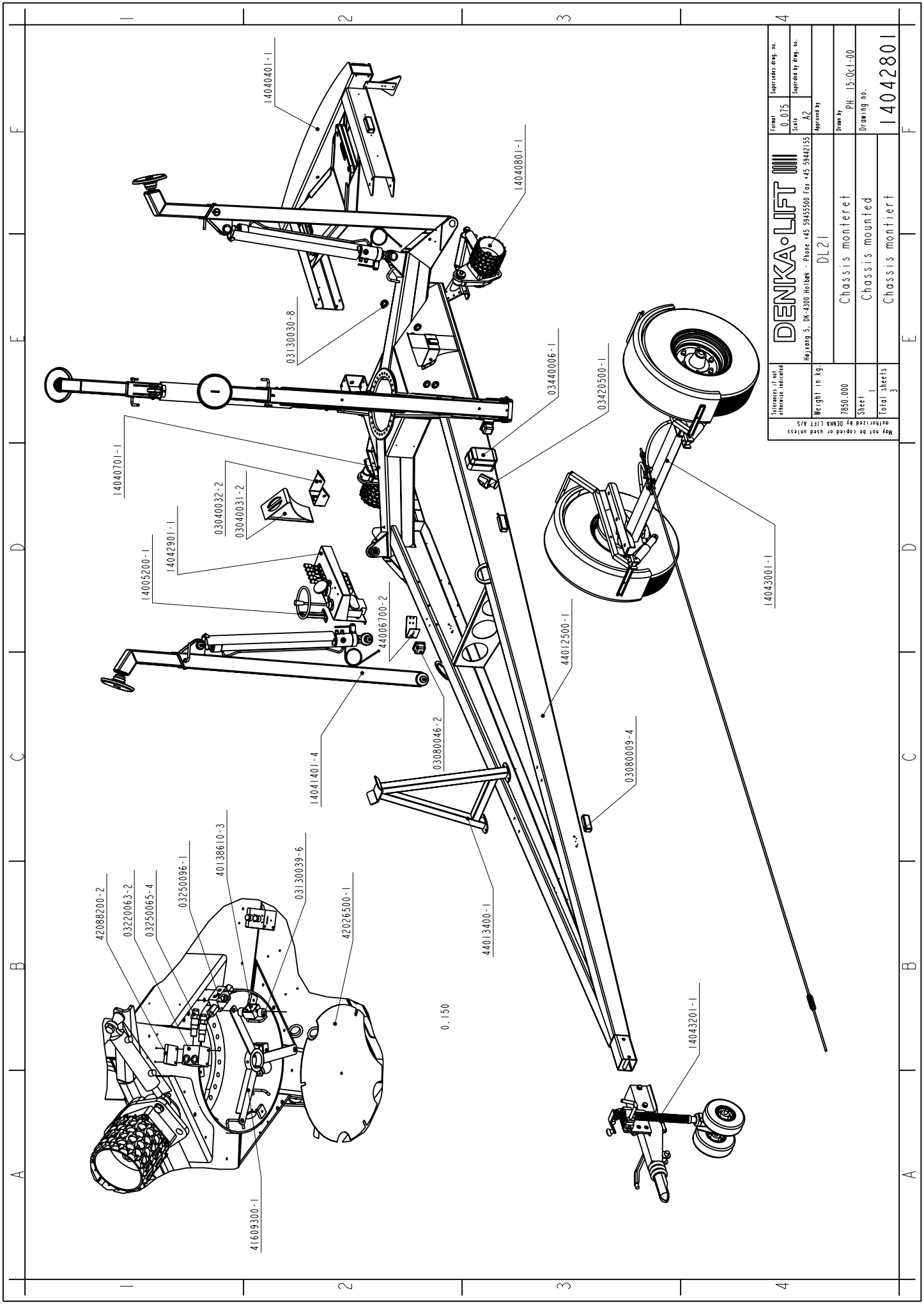
**SPARE PARTS
CATALOGUE**

**ERSATZTEILS-
KATALOG**

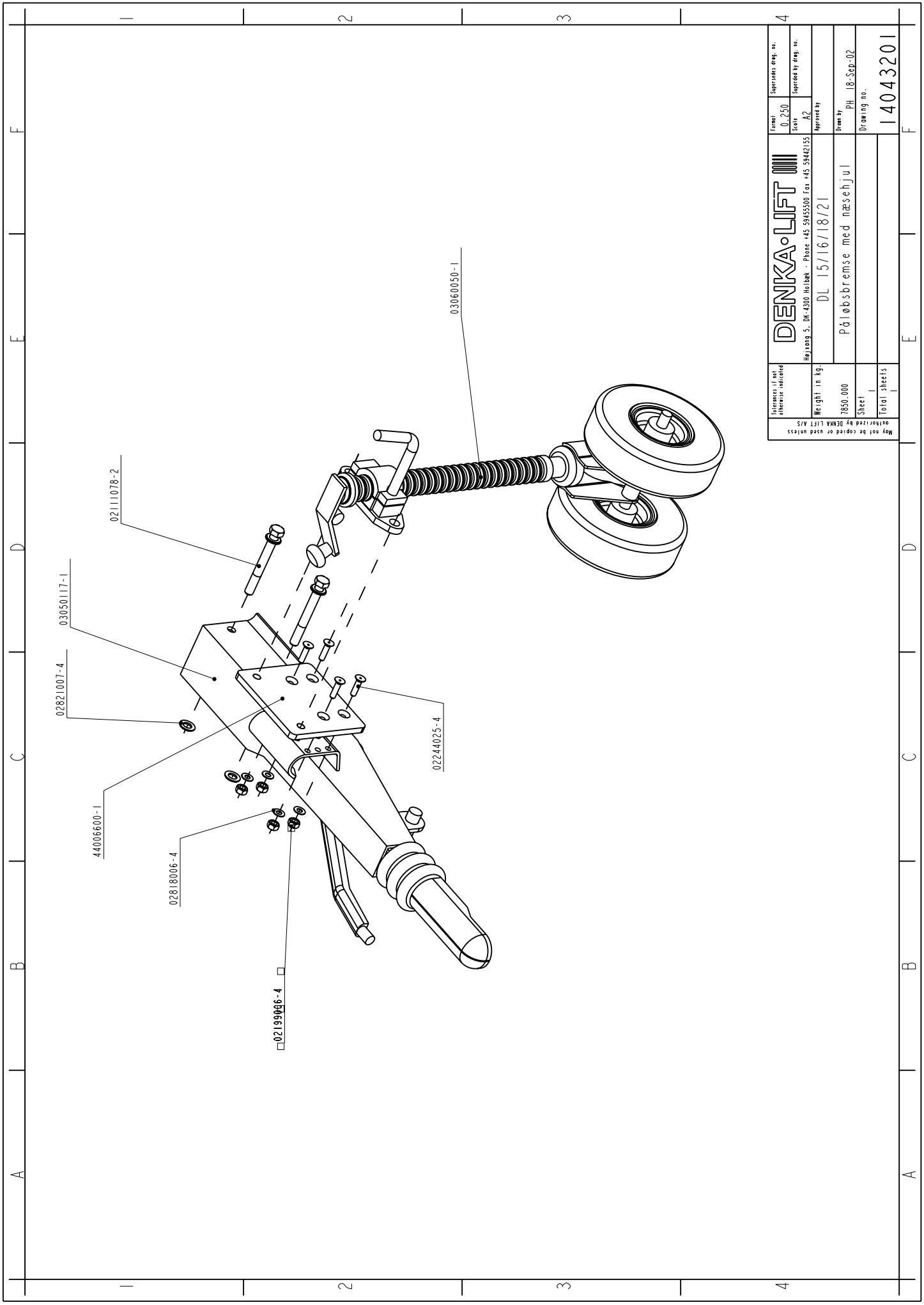


CHASSIS

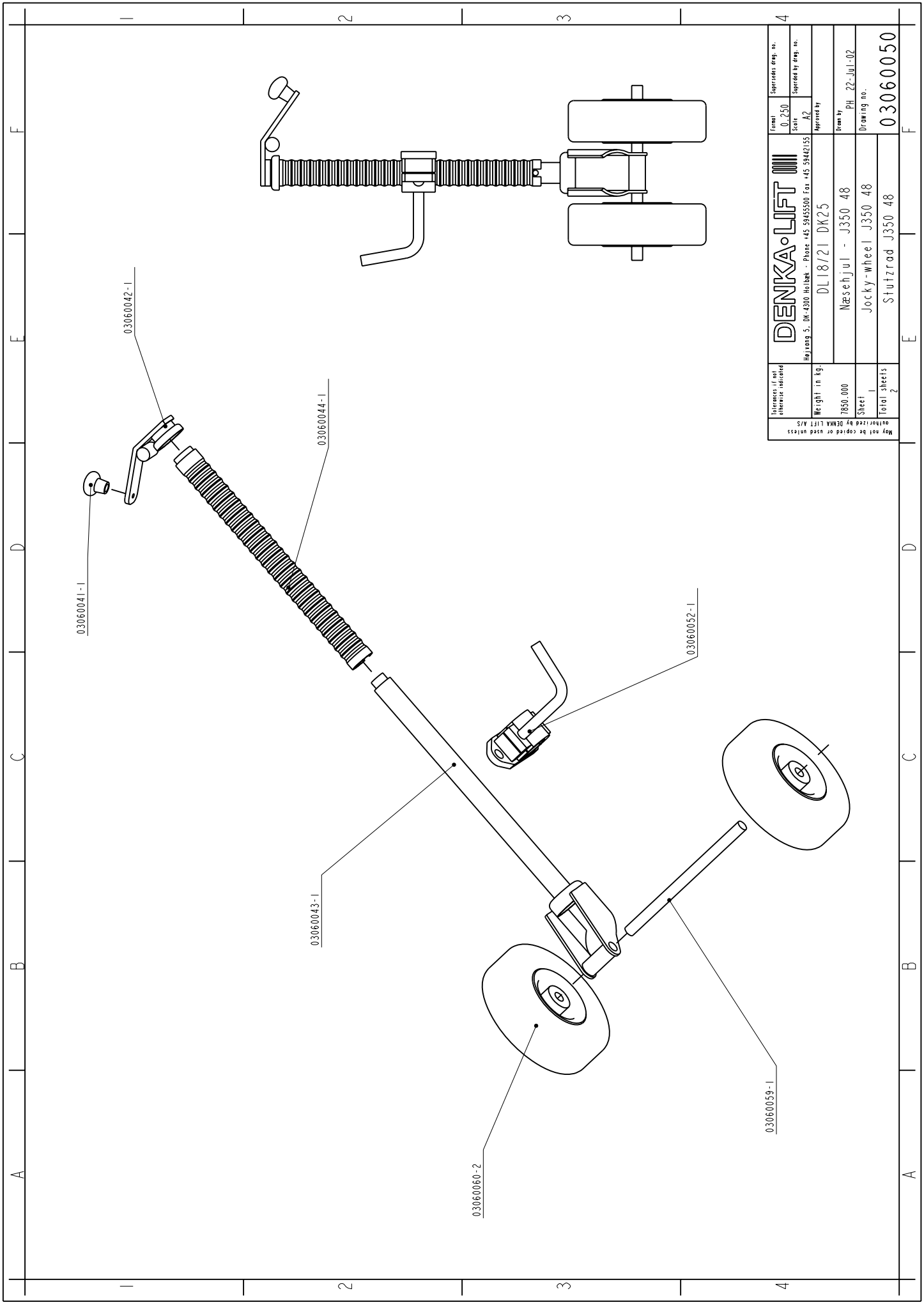
Version – 07.2004



Differences if not otherwise indicated	Formel	Supersedes drawing no.
	0.075	0.075
Weight in kg	Scale	Scale
	7850.000	A2
Total sheets	Approved by	Approved by
	1	DL21
Sheet	Drawn by PH 15-01-00	
	Chassis monteret	
Total sheets	Drawing no.	
	14042801	
DENKA-LIFT Holtrup 5, DK-4300 Holbæk - Phone: +45 59455500 Fax: +45 59442155 May not be copied or used unless authorized by DENKA LIFT A/S		

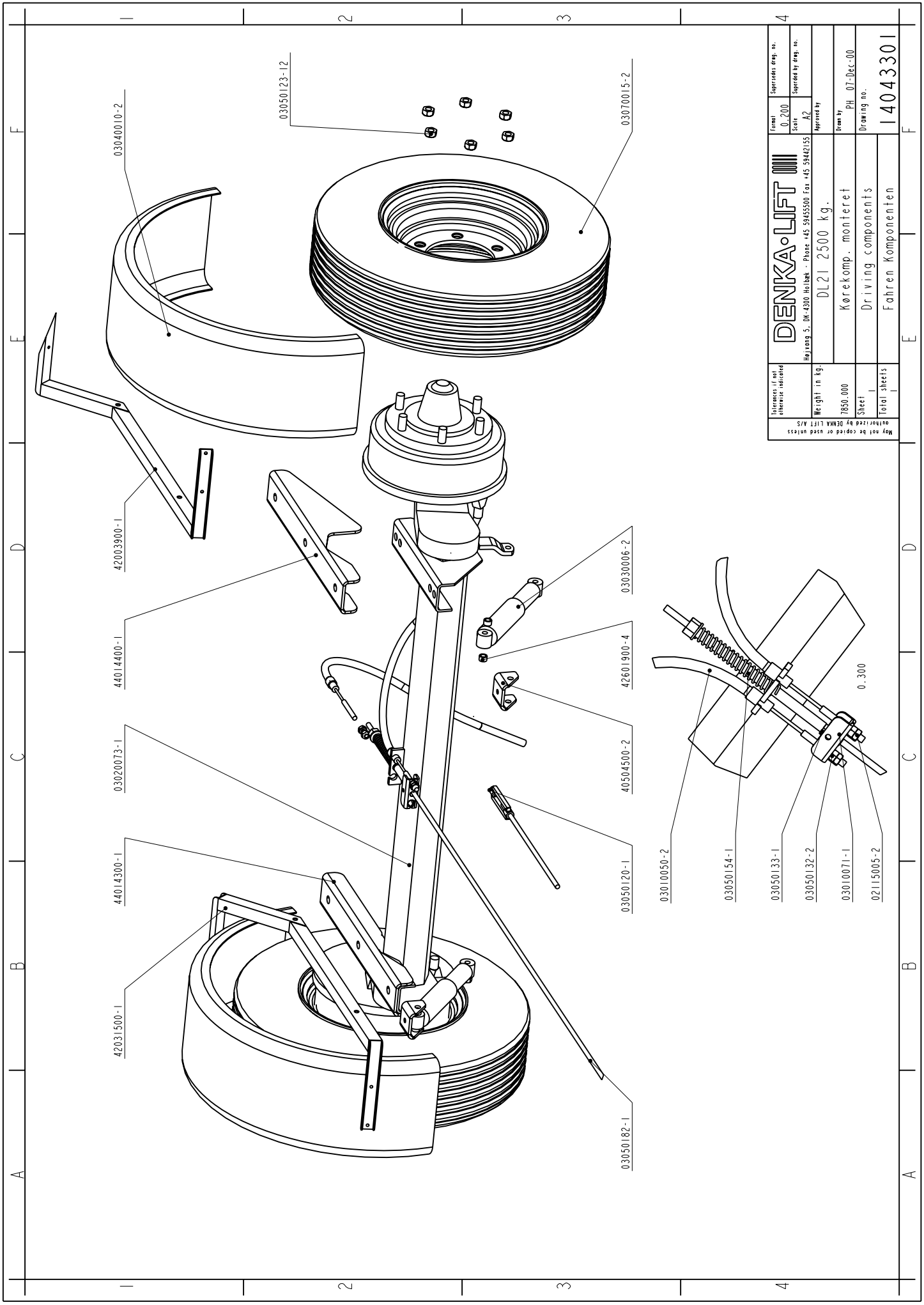


Tolerances if not otherwise indicated		Denka-LIFT		Supersedes drawing no.	
Weight in kg:		DL 15/16/18/21		0.250	
7850.000		Påløbsbremse med næsehjul		Scale A2	
Sheet		Approved by		Supersedes by drawing no.	
Total sheets		PH 18-Sep-02		14043201	
May not be copied or used unless authorized by DENKA LIFT A/S Adressen if not otherwise indicated: Højrang 5, DK-4300 Høsbæk - Phone: +45 59455500 Fax: +45 59442155 DL 15/16/18/21					



Dimensions (if not otherwise indicated)	Formal Scale	Supersedes drawing no.
	0:250	
	A2	Superseded by drawing no.
DENKA-LIFT Hojrup 5, DK-4300 Halsbek - Phone: +45 59455500 Fax: +45 59442155		
Weight in kg:	Approved by	
DL18/21 DK25		
7850-000	Drawn by	
Sheet	PH 22-Jul-02	
1	Jockey-wheel J350 48	
2	Stutzrad J350 48	
Total sheets	03060050	

May not be copied or used unless authorized by DENKA LIFT A/S



03040010-2

03050123-12

03070015-2

42003900-1

44014400-1

03020073-1

44014300-1

42031500-1

42601900-4

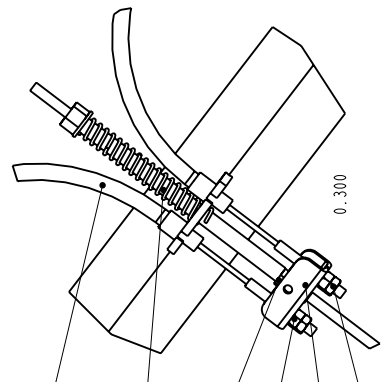
03030006-2

42601900-4

40504500-2

03050120-1

03050182-1



03010050-2

03050154-1

03050133-1

03050132-2

03010071-1

02115005-2

0.300

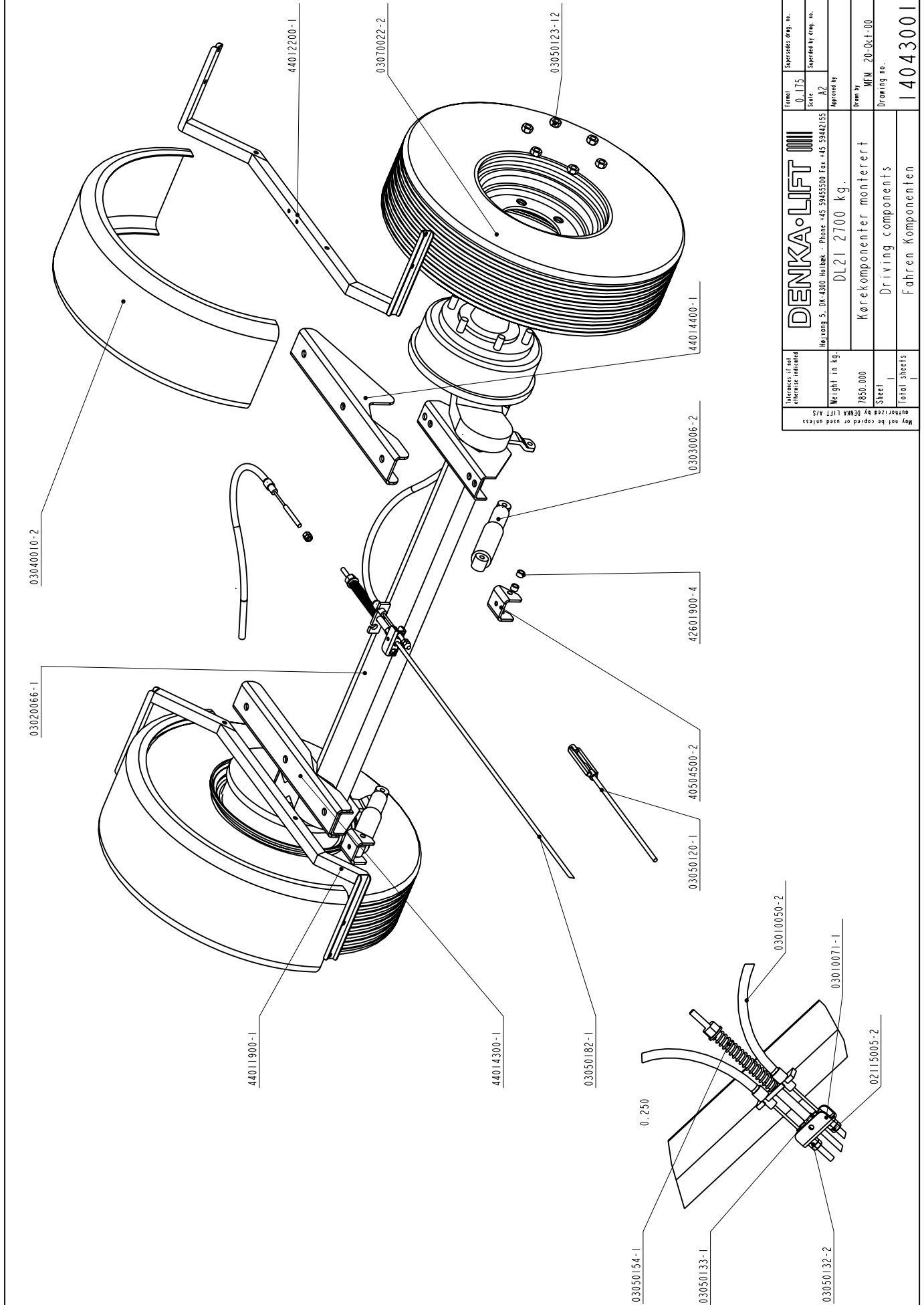
Differences if not otherwise indicated	Formel 0.200	Supersedes drawing no. 0.200
	Scale A2	Superseded by drawing no. 0.200
Weight in kg. 7850.000	Approved by DL21 2500 kg.	
Sheet 1	Drawn by PH 07-Dec-00	
Total sheets 1	Driving components 14043301	
May not be copied or used unless authorized by DENKA LIFT A/S		

DENKA-LIFT

Møllegaard 5, DK-4200 Haslev - Phone +45 59455500 Fax +45 59442155

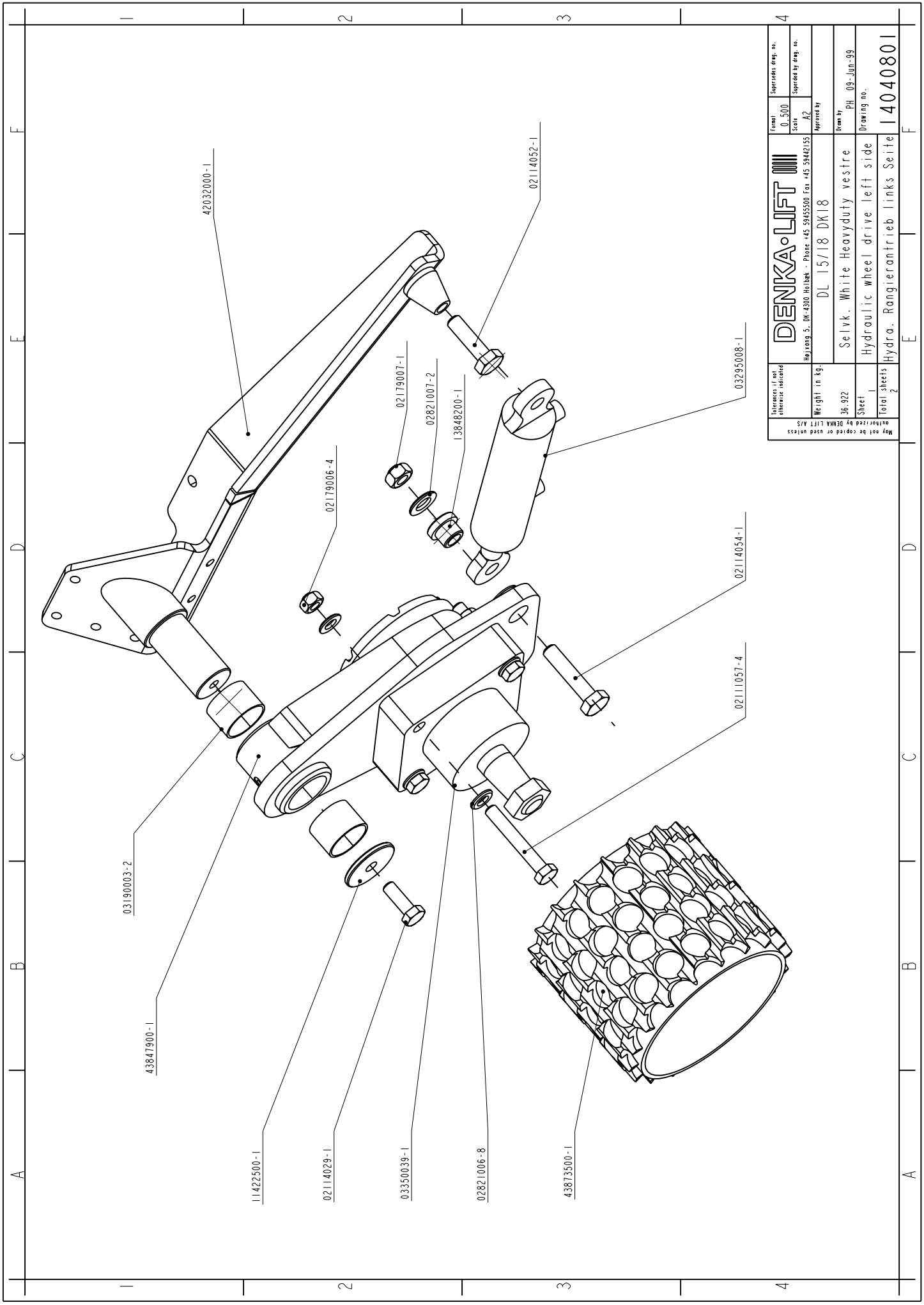
Kørekomp. monteret
 Driving components
 Fahren Komponenten

14043301



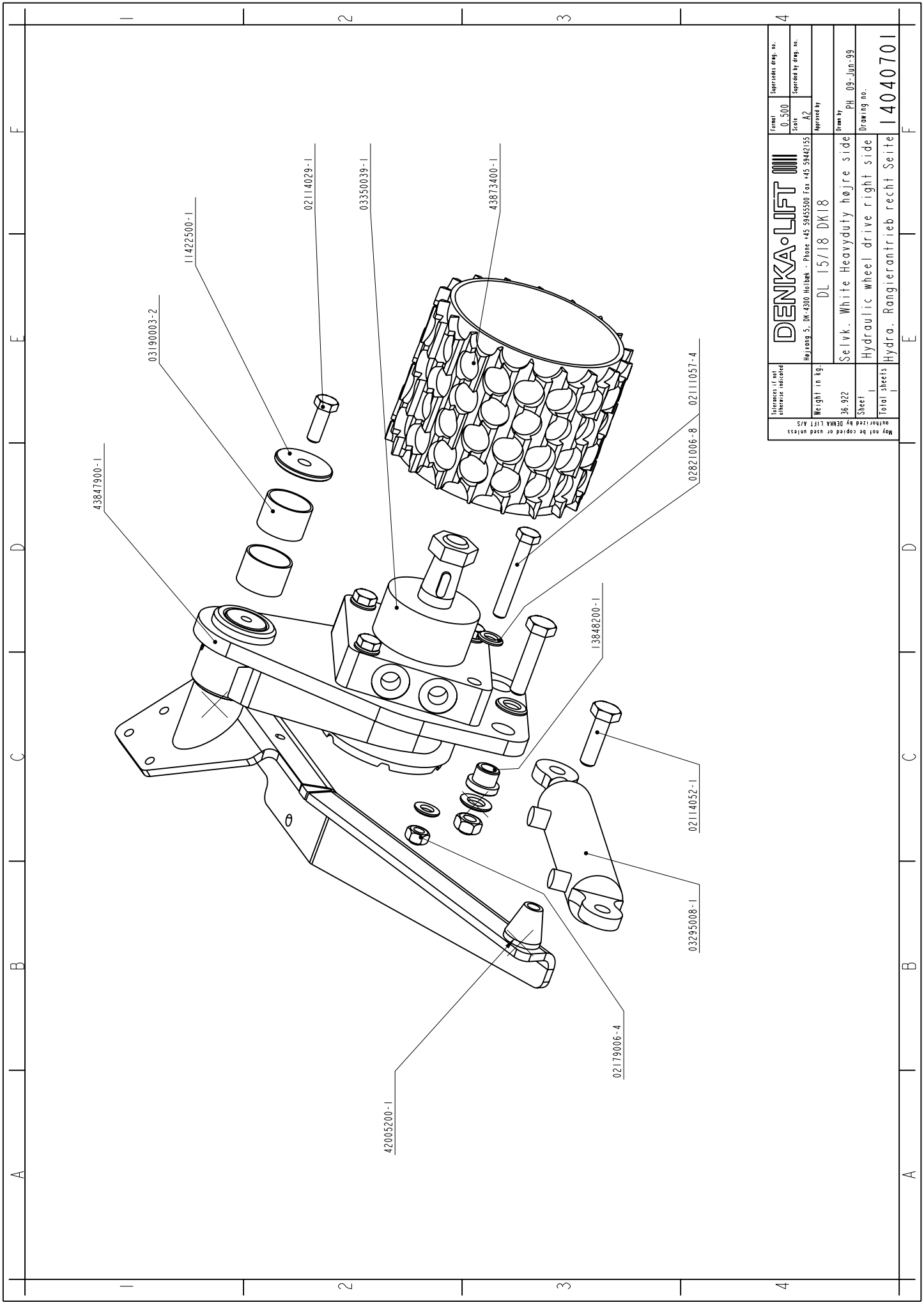
Tolerances if not otherwise indicated	Formel	Supersedes drawing no.
	0.175	
Weight in kg:	Scale	Superseded by drawing no.
	DL21	
Weight in kg:	Approved by	
	DL21 2700 kg.	
Sheet	Drawn by	
	MFM 20-Oct-00	
Total sheets	Driving components	
	Fahren Komponenten	
DENKA-LIFT Hojrup 5, DK-4300 Hvidebø - Phone: +45 59455500 Fax: +45 59442155 DL21 2700 kg.		Korekomponenter monteret Drawing no. 14043001

May not be copied or used unless authorized by DENKA LIFT A/S

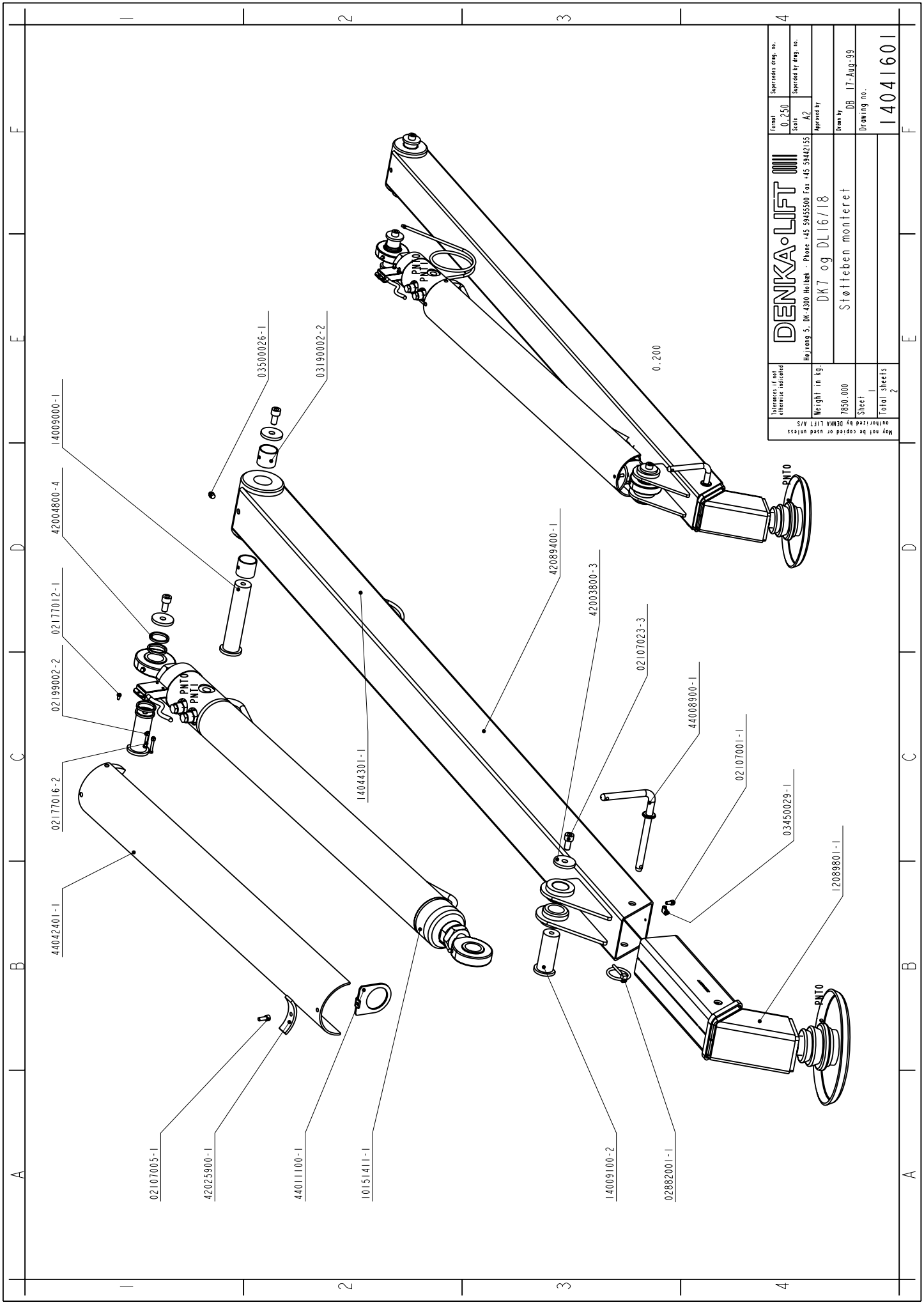


Tolerances if not otherwise indicated	Denka-LIFT	Formel	Supersedes drawing no.
Weight in kg:	DL 15/18 DK18	0.500	Supersedes drawing no.
36.922	Selyk. White Heavyduty vestre	Scale	A2
Sheet	Hydraulic wheel drive left side	Approved by	
Total sheets	Hydra. Rangierantrieb links Seite	Drawn by	PH_09-Jun-99
2	Hydra. Rangierantrieb links Seite	Drawing no.	14040801

May not be copied or used unless authorized by DENKA LIFT A/S
 No. Juraag 5, DK-4300 Hvidebø - Phone: +45 59455500 Fax: +45 59442155



DENKA-LIFT		Formel	Supersedes drawing no.
Højtorque 5, DK-4200-Højtorque - Phone: +45 59465500 Fax: +45 59462155		0-500	
DL 15/18 DK18		Scale	Supersedes by drawing no.
Sejvk. White Heavyduty højre side		A2	
Hydraulic wheel drive right side		Approved by	
Hydra. Rangierantrieb recht Seite		From by	PH_09-Jun-99
Total sheets		Drawing no.	
1			14040701
Authorized by DENKA LIFT A/S			
May not be copied or used unless			



Tolerances if not otherwise indicated	Formel 0.250	Supersedes drawing no.
Weight in kg 7850.000	Scale A2	Superseded by drawing no.
Sheet 1	Approved by DG	Drawn by DG
Total sheets 2	Drawing no. 14041601	Date 17-Aug-99

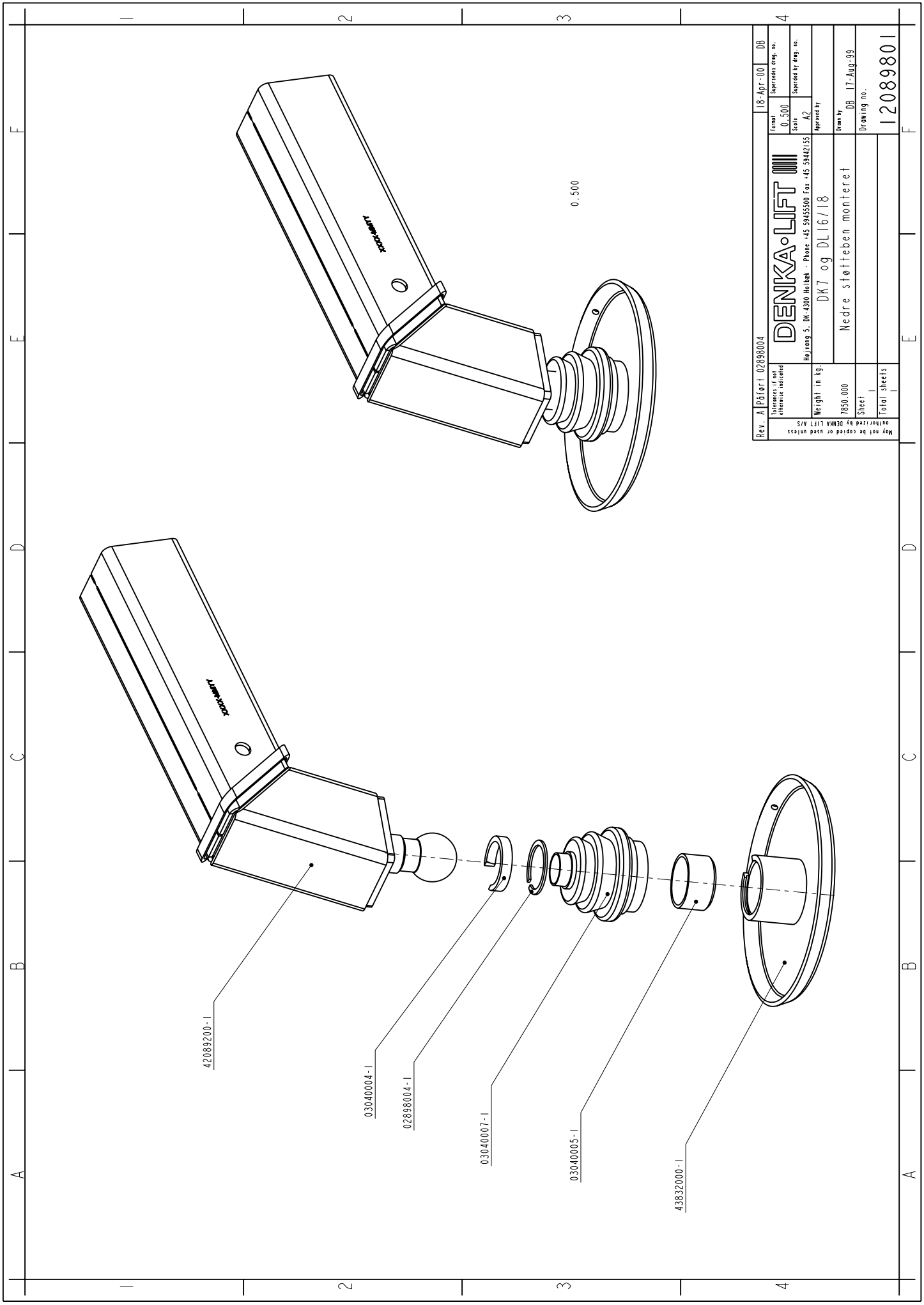
DENKA-LIFT

Højvang 5, DK-4300 Hvidebæk - Phone: +45 59455500 Fax: +45 59442155

DK7 og DL16/18

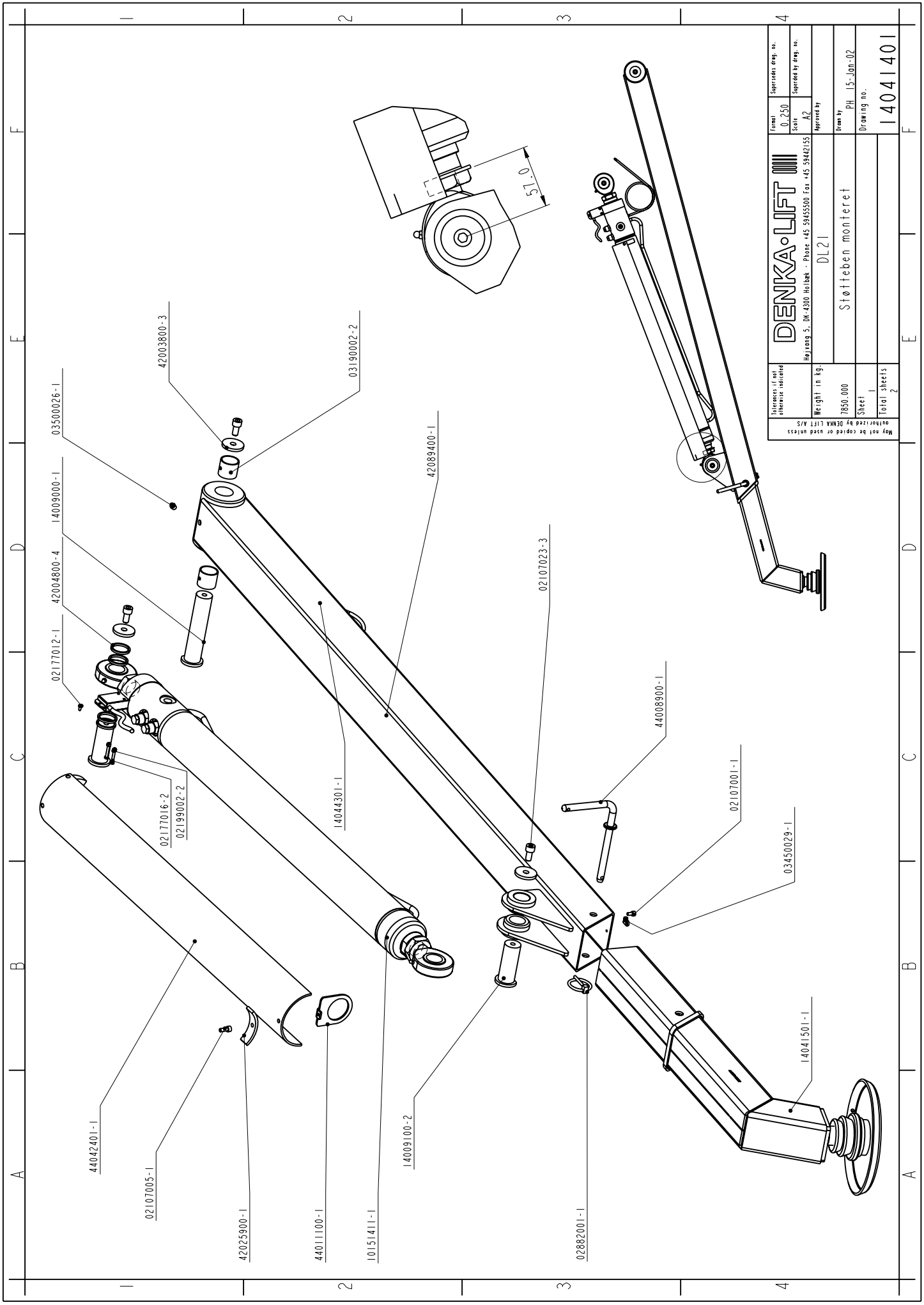
Støtteben monteret

May not be copied or used unless
 authorized by DENKA LIFT A/S



Rev. A	Part 02898004	18-Apr-00	DB
Tolerance if not otherwise indicated	Formel	0.500	Supersedes drawing no.
Weight in kg	Scale	A2	Superseded by drawing no.
7850.000	DENKA-LIFT		
Sheet	Møllegaard 5, DK-4300 Hvidebæk - Phone: +45 59455500 Fax: +45 59442155		
Total sheets	DK7 og DL16/18		
	Nedre støfteben monteret		
	Drawn by DB 17-Aug-99		
	Drawing no. 12089801		

May not be copied or used unless authorized by DENKA LIFT A/S



Dimensions if not otherwise indicated	Formel	Supersedes drawing no.
Weight in kg:	0.250	Scale
Weight in kg:	DL21	Supersedes by drawing no.
7850.000	DL21	
Sheet	Approved by	
Total sheets	Drawn by	
1	PH 15-Jan-02	
2	Drawing no.	
	14041401	

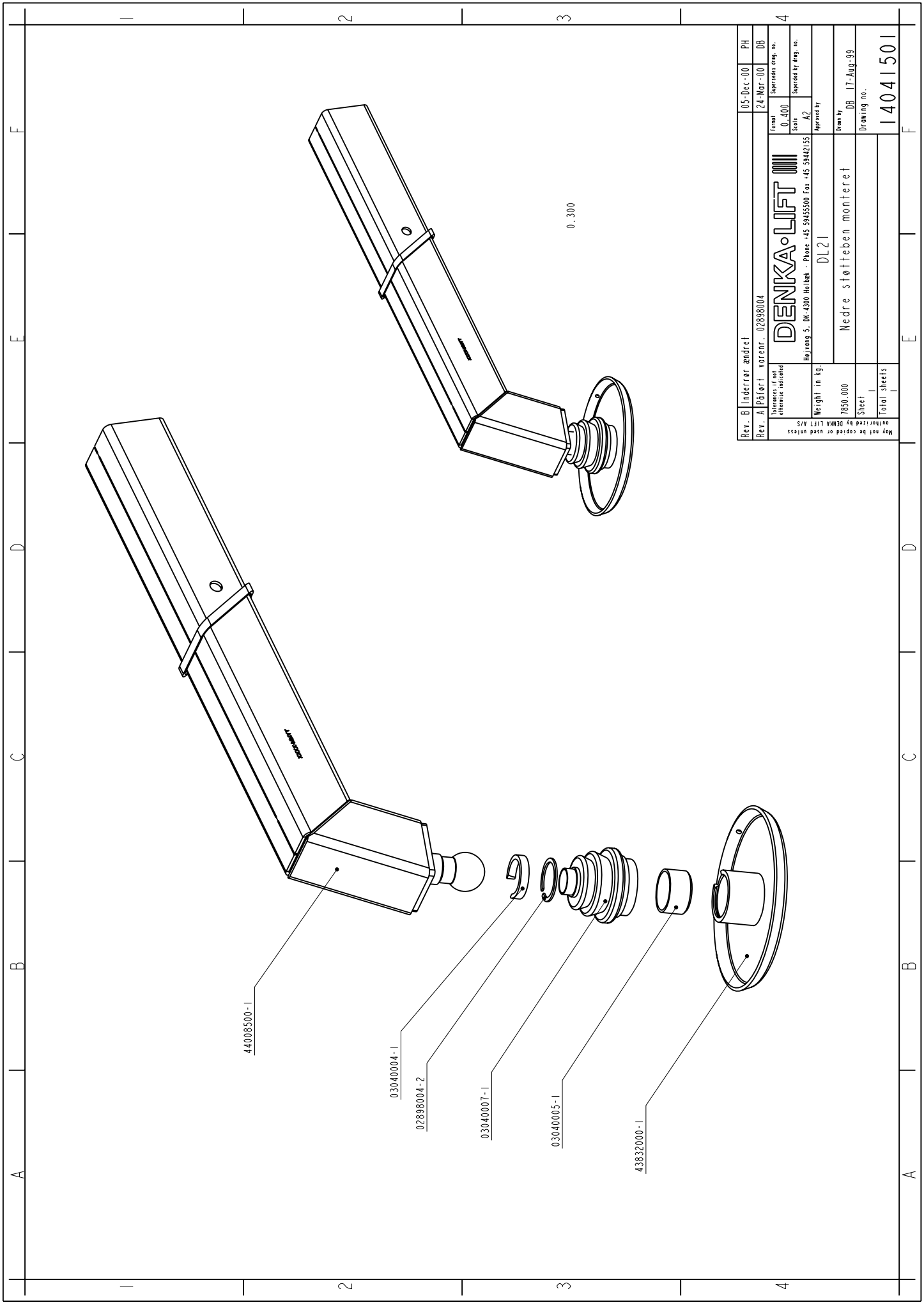
DENKA-LIFT

Mojevac 5, DK-4300 Høstebø - Phone: +45 59455500 Fax: +45 59442155

Støtteben monteret

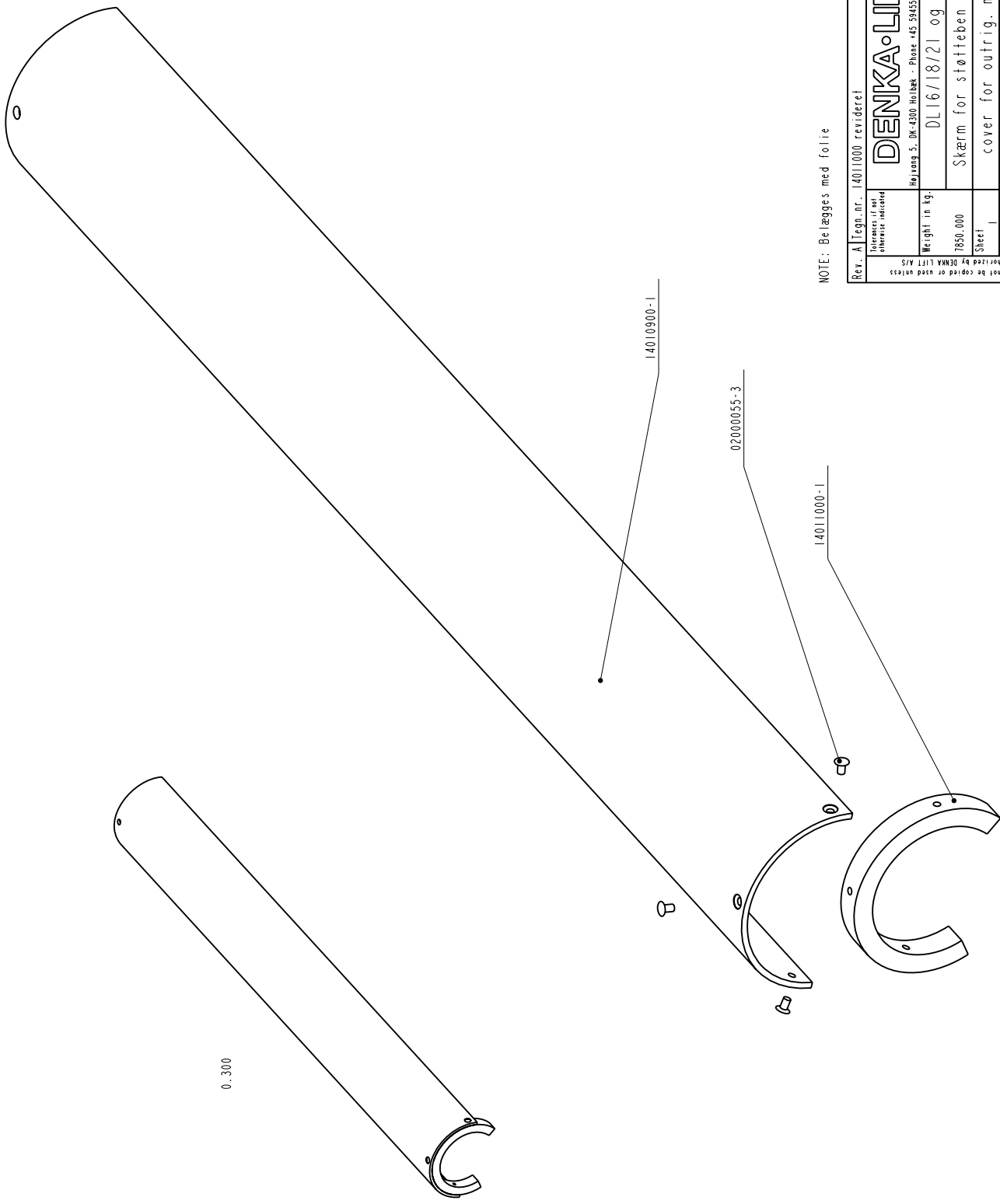
DL21

May not be copied or used unless authorized by DENKA LIFT A/S



Rev. B	Enderrør ændret	05-Dec-00	PH
Rev. A	PS-løst varent. 02898004	24-Mar-00	DB
Tolerance (if not otherwise indicated)		Formel	Supersedes drawing no.
		0.400	
Weight in kg:		Scale	Supersedes by drawing no.
		A2	
Authorized by DENKA LIFT A/S		Approved by	
		DL21	
7850.000		Drawn by	DB 17-Aug-99
Sheet		Drawing no.	
Total sheets			14041501

6	Løser
5	Legel
3	Løber
2	Gummi
1	Fodpl



NOTE: Belægges med folie

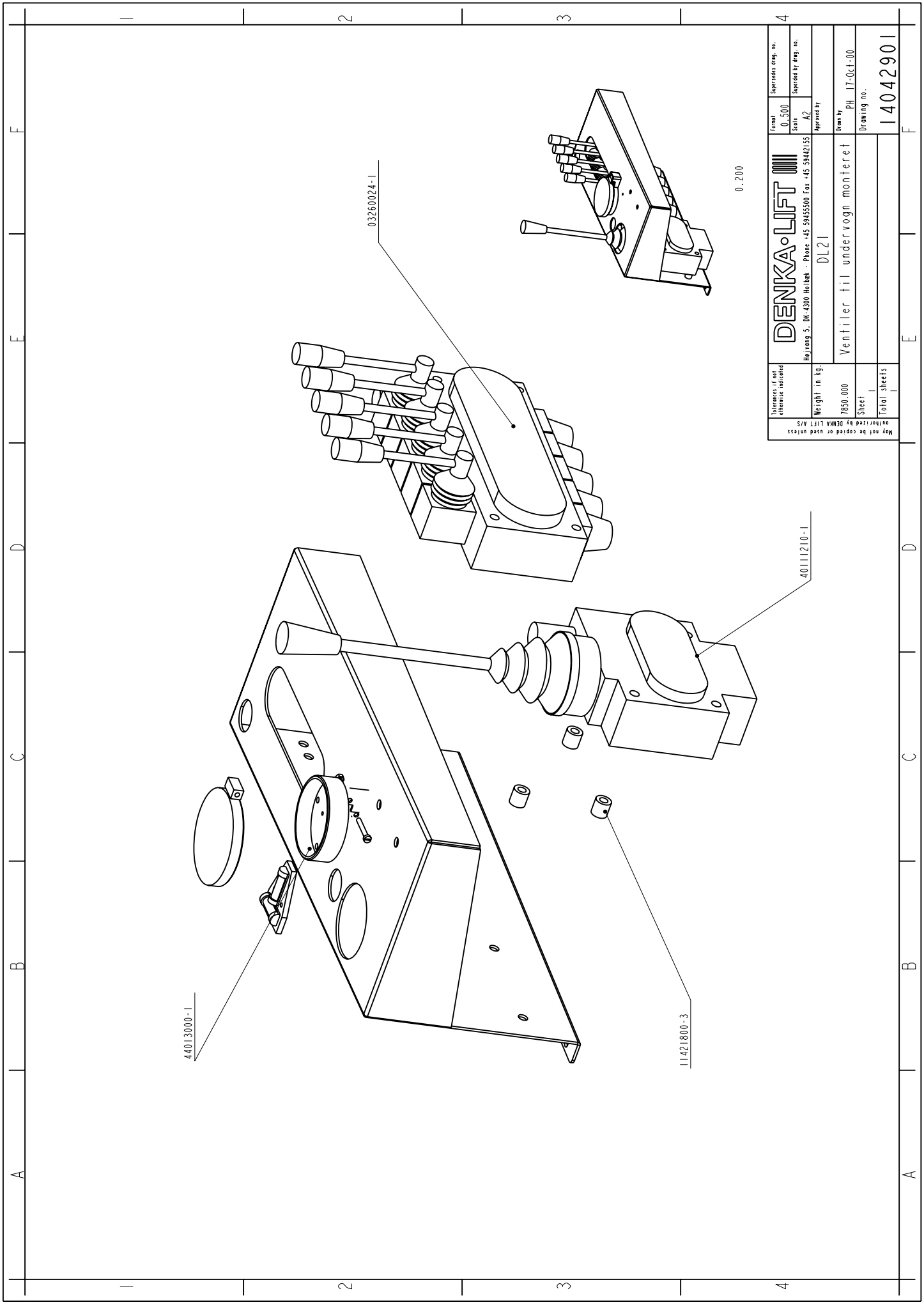
Rev. A	Tegn.nr. 14011000	revideret	10-Aug-00	DB
tolerances if not otherwise indicated	Formel	0.700	Supersedes drawing no.	
	Scale	A2	Superseded by drawing no.	
	Weight in kg.	Approved by		
	7850.000	DL16/18/21 og DK7		
	Sheet	Drawn by DB 09-Mar-00		
	Total sheets	Drawing no.		
		Skærm for støtteben monteret cover for outrig. mounted		
		Schrim für Stützbein montiert		
		44042401		

DENKA-LIFT

Møllegaard 5, DK-4300 Hvidebæk - Phone: +45 59455500 Fax: +45 59442155

authorized by DENKA LIFT A/S

May not be copied or used unless authorized by DENKA LIFT A/S



44013000-1

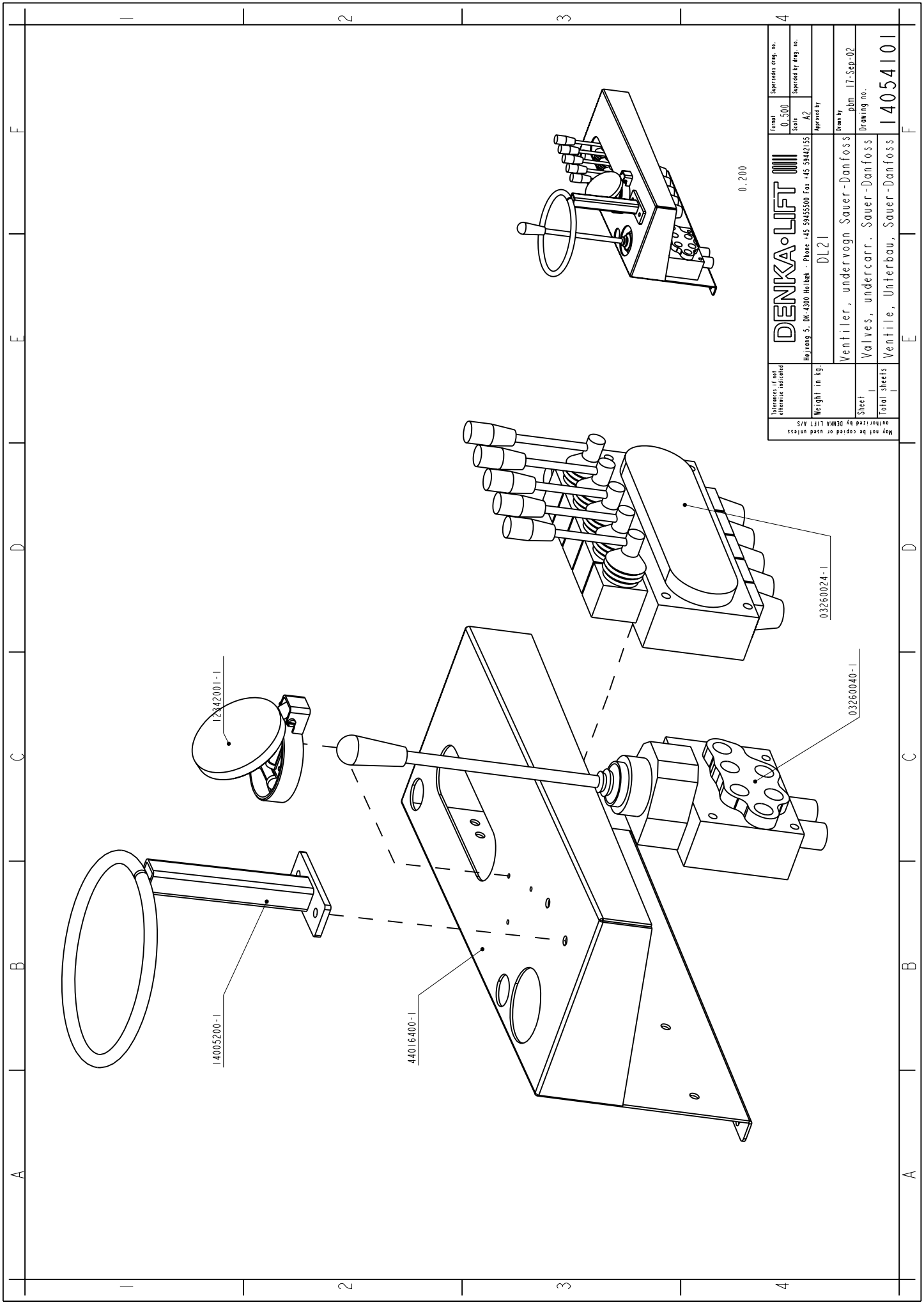
03260024-1

11421800-3

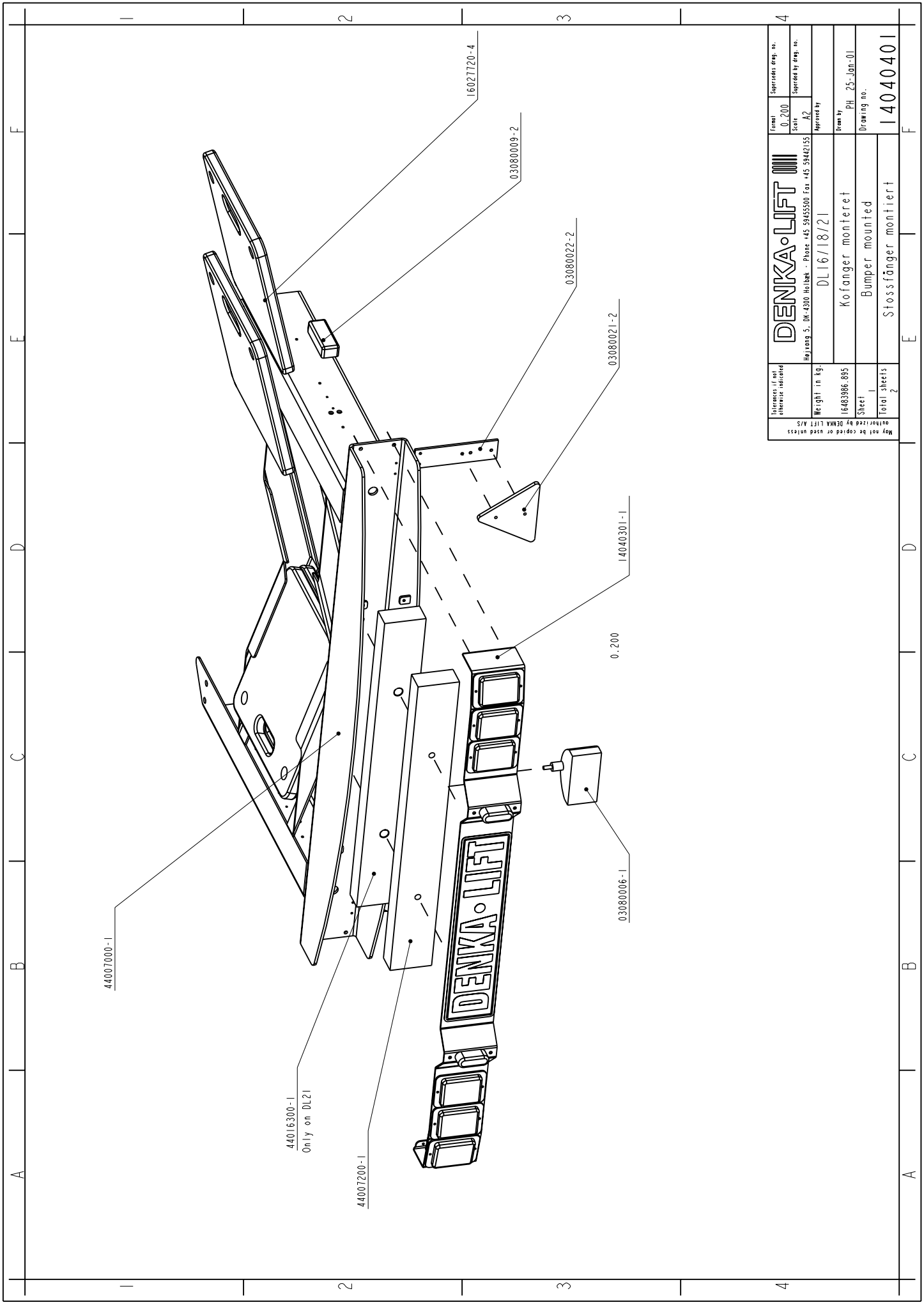
40111210-1

0.200

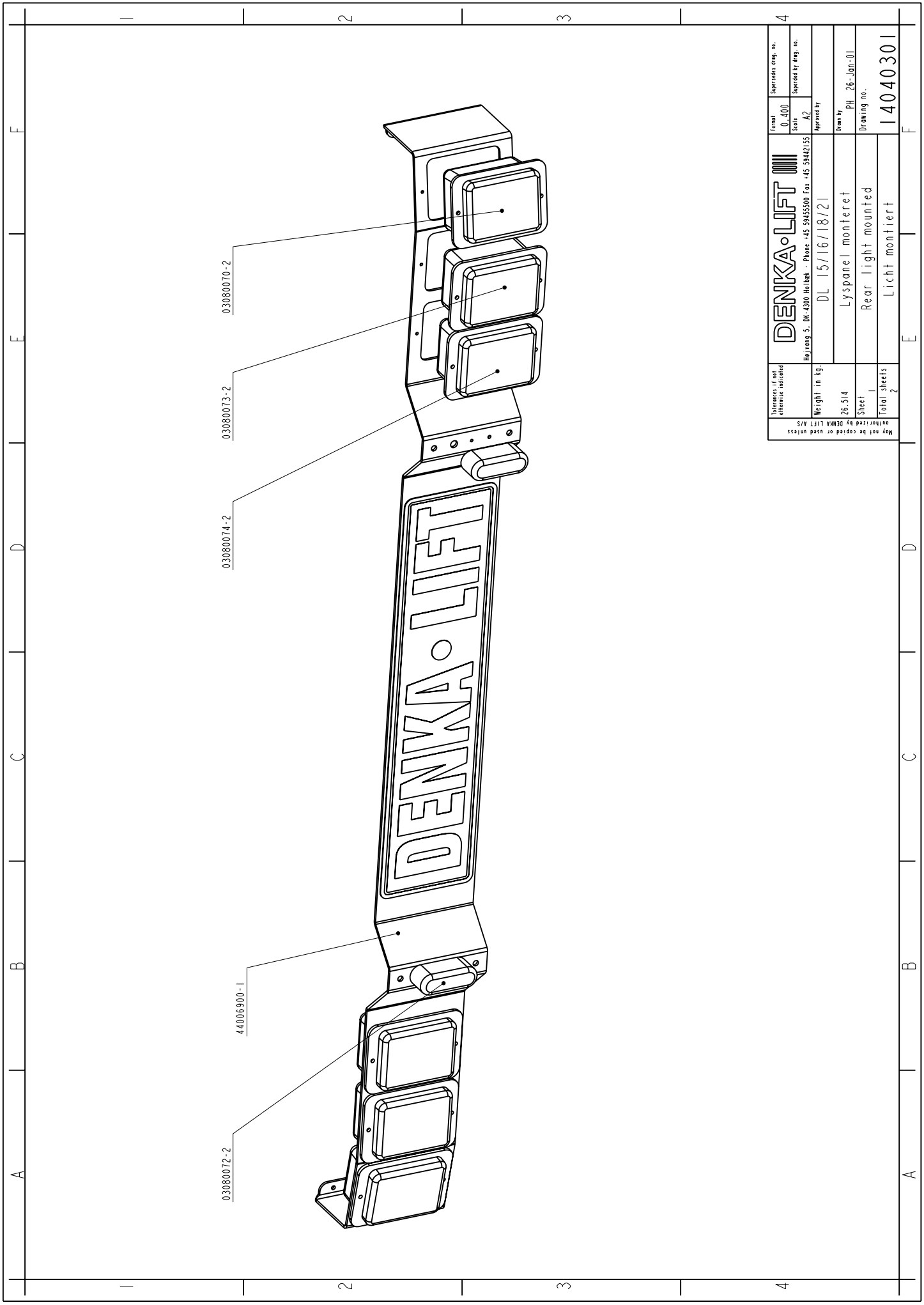
Tolærances if not otherwise indicated May not be copied or used unless authorized by DENKA LIFT A/S		DENKA·LIFT Højvang 5, DK-4300 Hvidebø - Phone: +45 59455500 Fax: +45 59442155		Formel: 0.500 Scale: A2	Supersedes drawing no.: Supersedes by drawing no.:
Weight in kg: 7850.000		DL21		Approved by: PH 17-04-00	
Sheet: 1		Ventilator til undertryk monteret		Drawing no.: 14042901	
Total sheets: 1					



Dimensions if not otherwise indicated	Formel 0.500	Supersedes drawing no.
Weight in kg	Scale A2	Supersedes by drawing no.
Sheet	Approved by DL21	
Total sheets	Drawn by pbm	17-Sep-02
DENKA-LIFT Hojrup 5, DK-4300 Hørbæk - Phone: +45 59455500 Fax: +45 59442155 Ventil, undervogn Sauer-Danfoss Valves, undercarr. Sauer-Danfoss Ventile, Unterbau, Sauer-Danfoss		
May not be copied or used unless authorized by DENKA LIFT A/S		Drawing no. 14054101

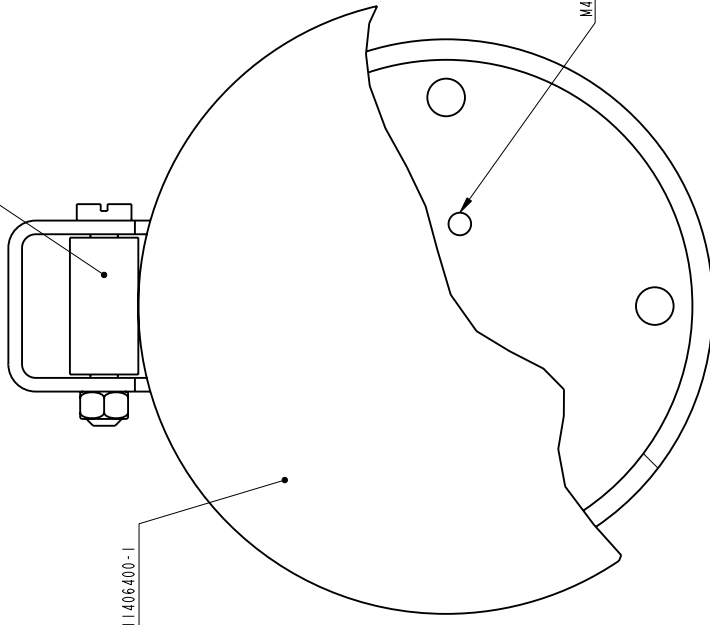


Dimensions (if not otherwise indicated)	DENKA-LIFT Hojrup 5, DK-4300 Hvidebø - Phone +45 59455500 Fax +45 59442155 DL16/18/21	
Weight in kg:	0.200	Supersedes drawing no.:
	Scale:	Superseded by drawing no.:
	0.200	A2
		Approved by:
		PH 25-Jan-01
		Drawing no.:
		14040401
Sheet	1	
Total sheets	2	
May not be copied or used unless authorized by DENKA LIFT A/S		



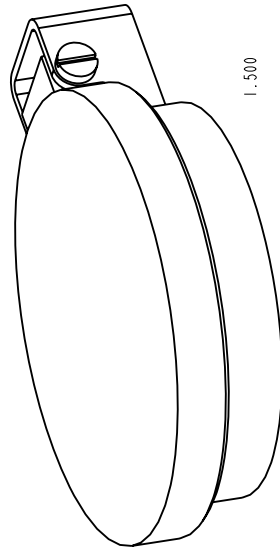
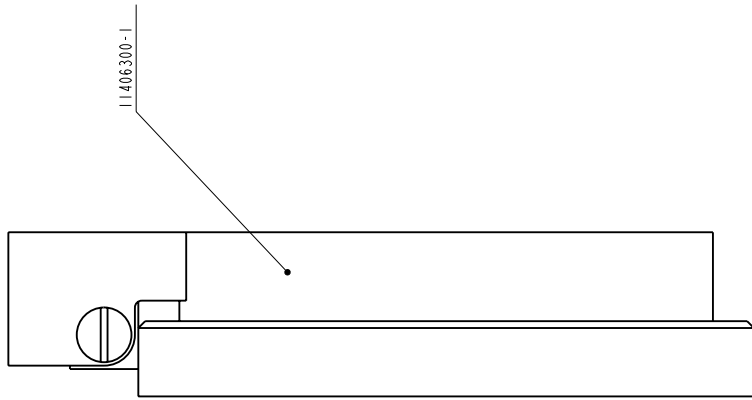
Tolereances if not otherwise indicated	Formel 0-400	Supersedes drawing no.
Weight in kg: 26.514	Scale A2	Superseded by drawing no.
Sheet 1	Approved by DL 15/16/18/21	Drawing no. PH_26-Jan-01
Total sheets 2	No. drawing 5, DM-4300-Heilbronn - Phone: +45 59455500 Fax: +45 59442155	Drawing no. Licht mounted 14040301
May not be copied or used unless authorized by DENKA LIFT A/S	Lyssoneil monteret Rear light mounted Licht monteret	4

02177016-1



11406400-1

11406300-1



1.500

Note: Males 80-120 µm

Rev. C	Tegnet af i pro + ændret nr. fra 41411600 til 41411601		25-Apr-00	H0
Tolerance if not otherwise indicated	Formel	Scale	Supersedes drawing no.	
	2.000	A2	Superseded by drawing no.	
Møltrup 5, DK-4300 Høsbæk - Phone: +45 59455500 Fax: +45 59442155		Approved by		
Weight in kg.		DK3		
0.200	Libellehus komplet		Drawn by	H0 18-Apr-00
Sheet	Libelle house complete		Drawing no.	
Total sheets	Libelle Gehäuse komplett			41411601

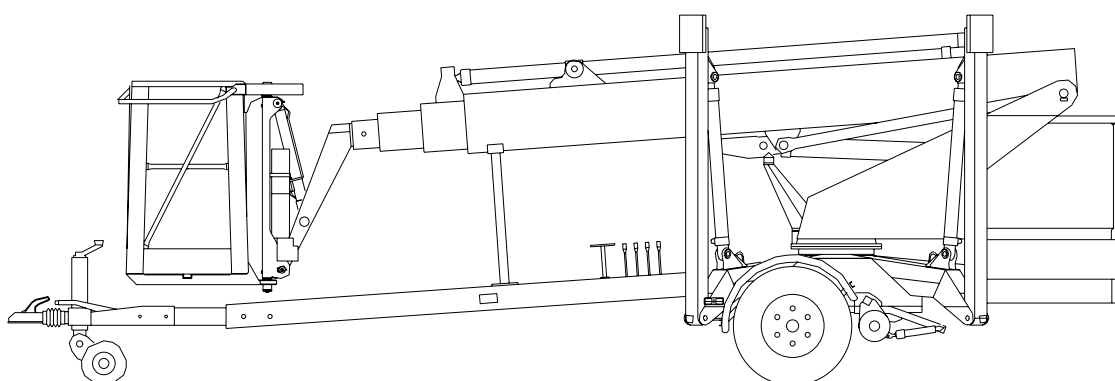
DENKA LIFT

May not be copied or used unless authorized by DENKA LIFT A/S

**RESERVEDELS-
KATALOG**

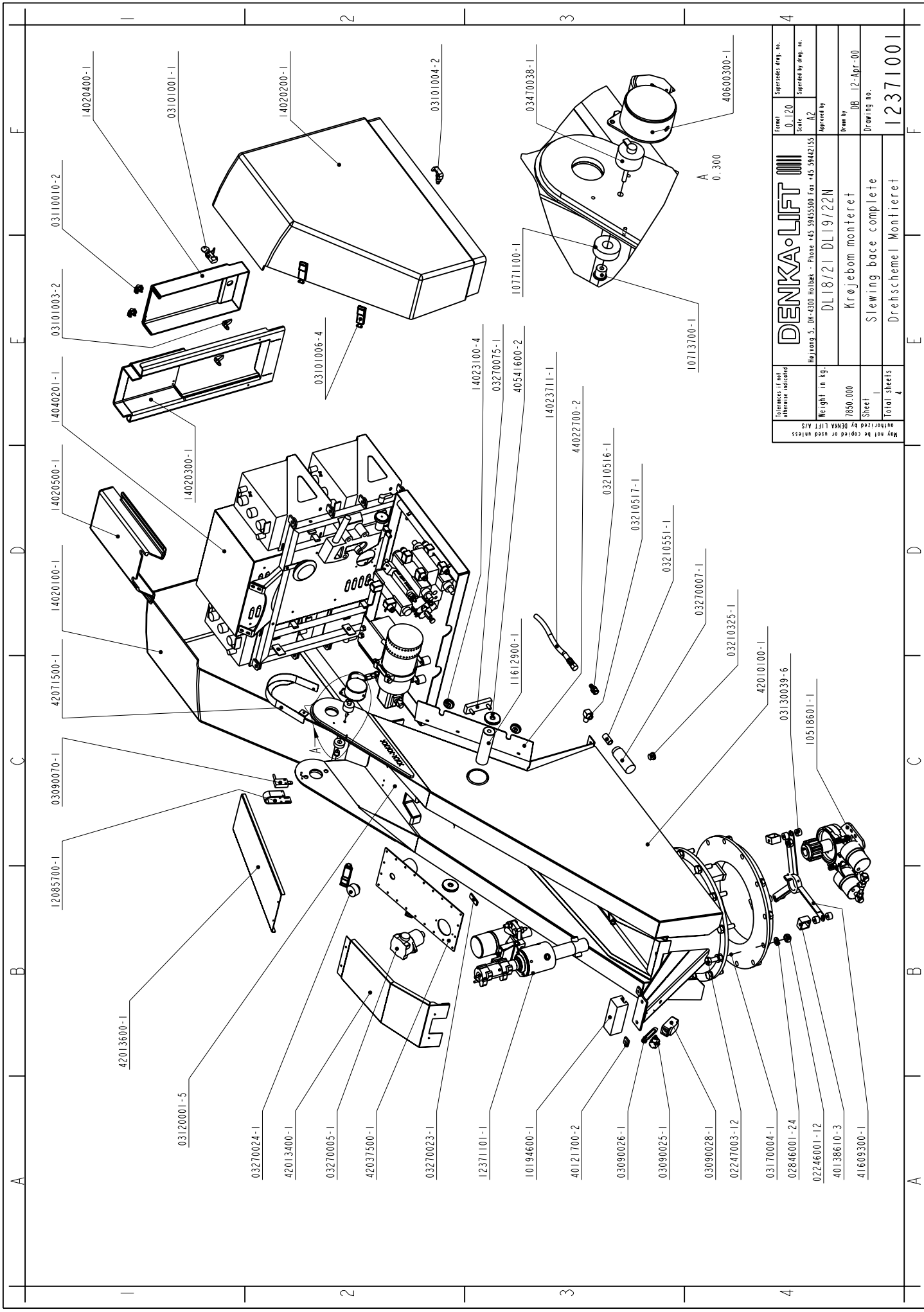
**SPARE PARTS
CATALOGUE**

**ERSATZTEILS-
KATALOG**



**KRØJEBOM
SLEWING BOOM
DREHSCHEMEL**

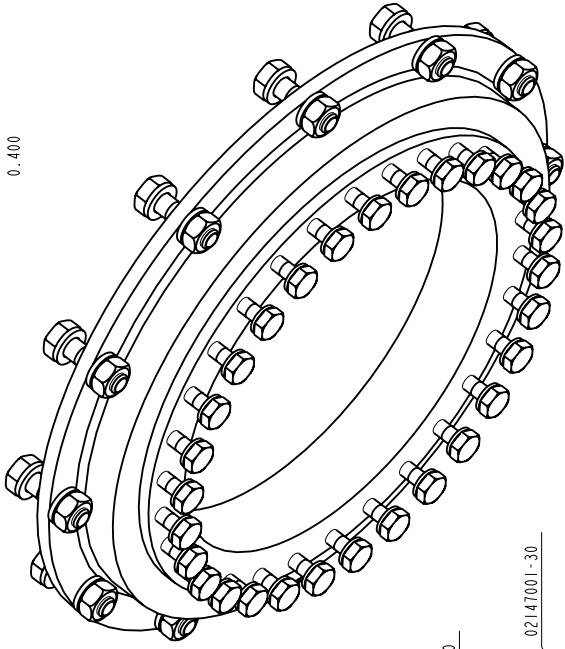
Version – 07.2004



Differences if not otherwise indicated	Formel	Supersedes drawing no.
	0.120	0.120
Weight in kg	Scale	Supersedes by drawing no.
	7850.000	A2
Sheet	Approved by	
	DL18/21 DL19/22N	
Total sheets	Drawn by	
	DB 12-Apr-00	
authorized by DENKA LIFT A/S		Drawing no.
10518601-1		12371001

Højrup 5, DK-4200 Hvidebæk - Phone +45 59455500 Fax +45 59442155	
DL18/21 DL19/22N	
Køjebom monteret	
Slewing base complete	
Drehschemel Montieret	

0.400



03170004-1

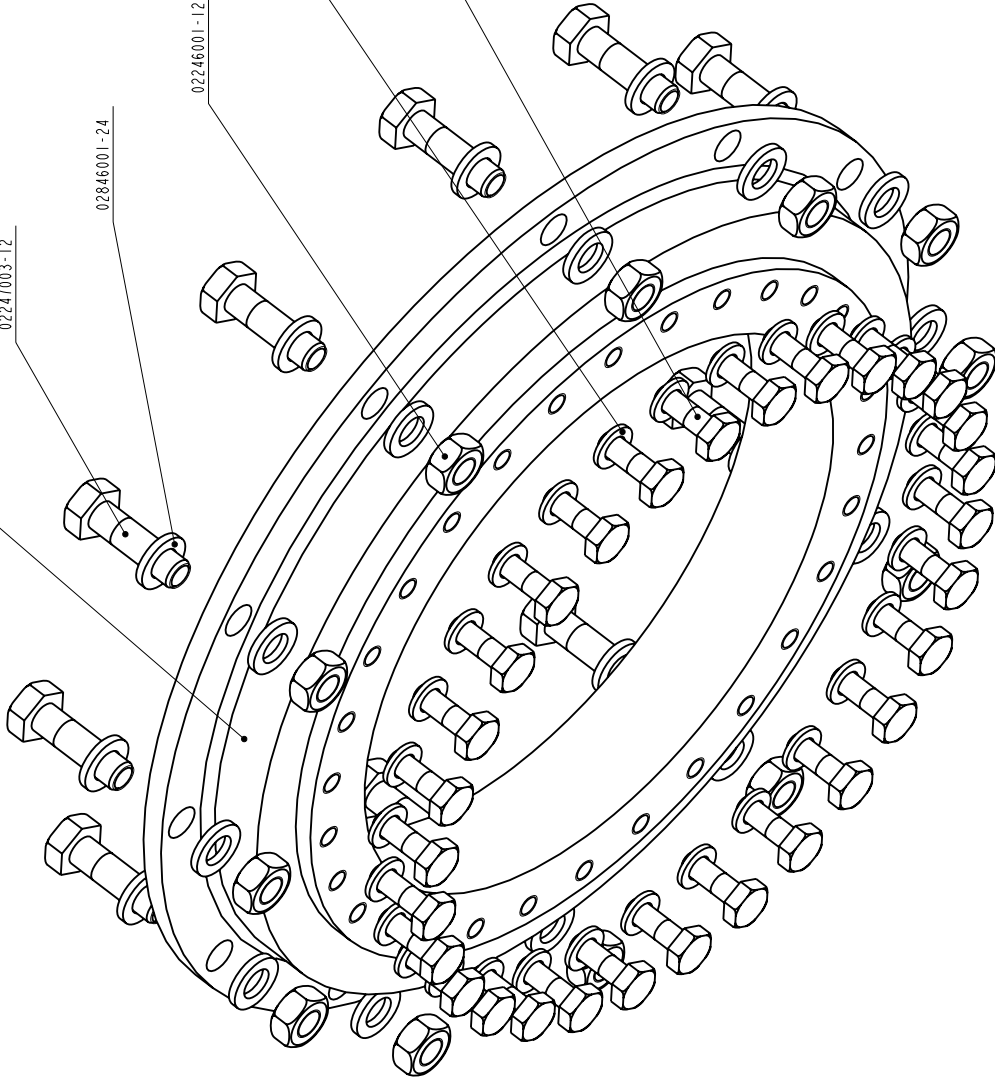
02247003-12

02846001-24

02246001-12

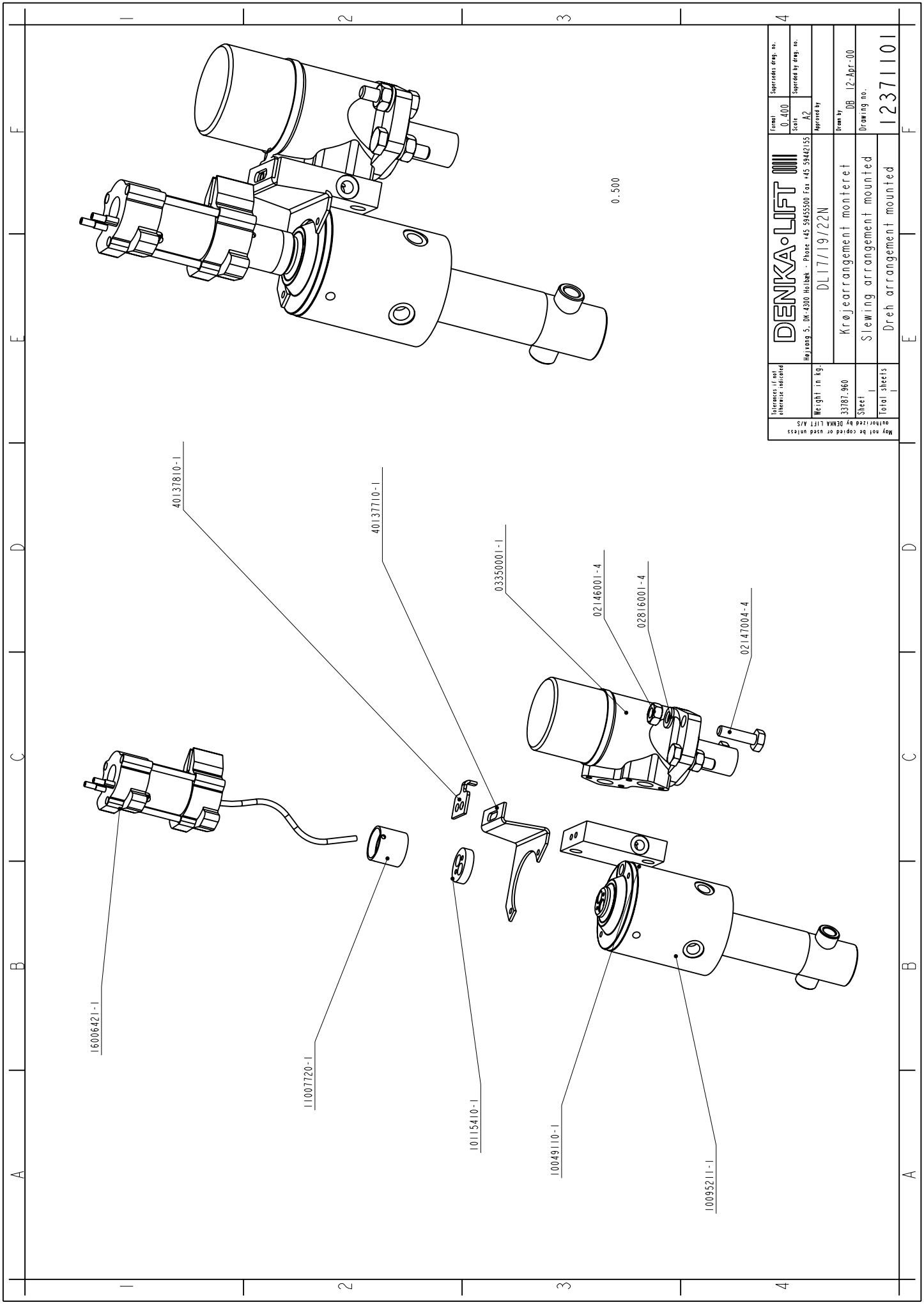
02816001-30

02147001-30



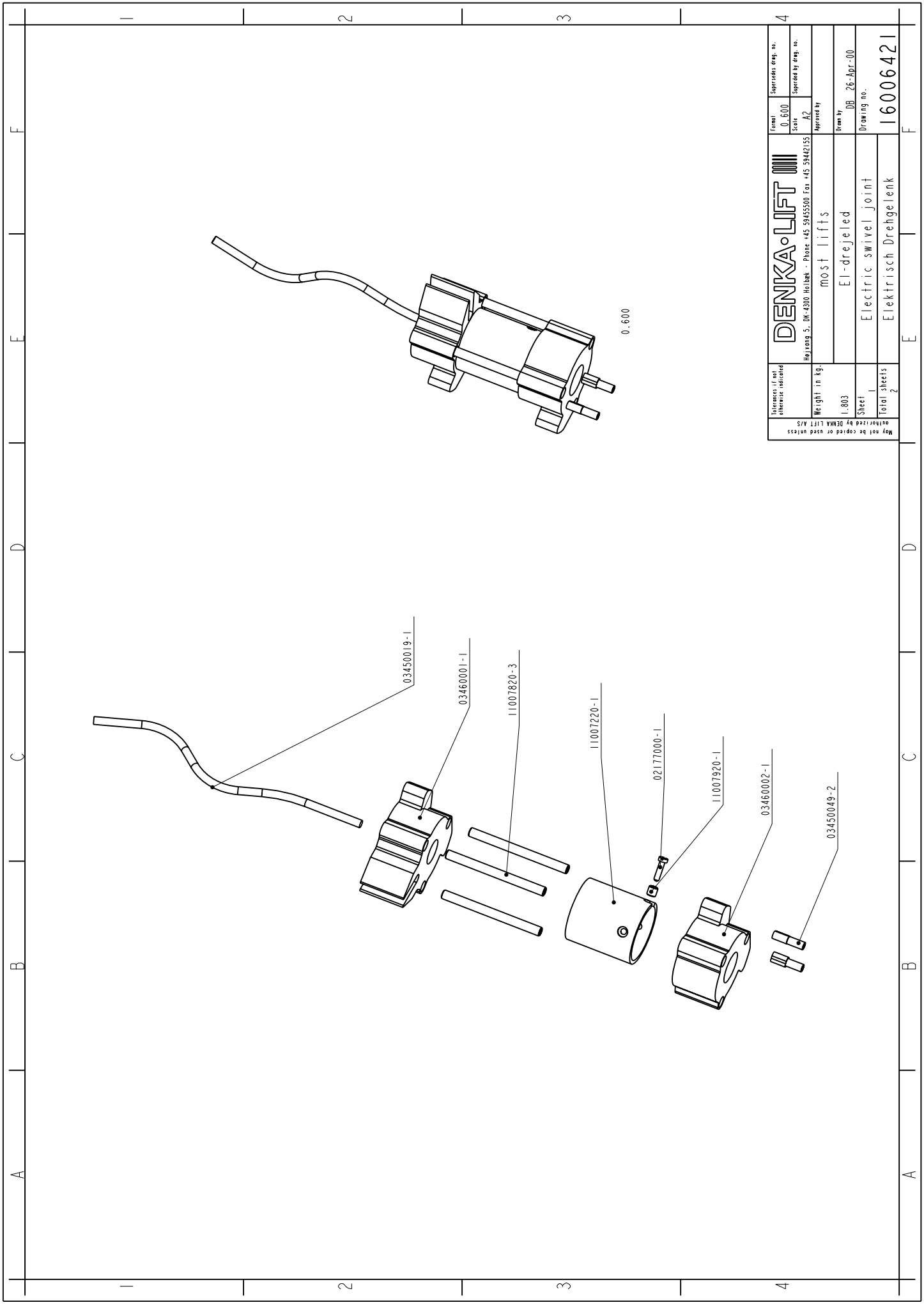
Dimensions if not otherwise indicated	Formel	Supersedes drawing no.
DS 2168-1 m	0.610	
Mejrup 5, DK-4200-Halsbek - Phone: +45 59455500 Fax: +45 59442155	Scale	Supersedes by drawing no.
Weight in kg	A2	
7850.000	Approved by	
Sheet	Drawn by	DB_01-Jun-01
Total sheets	Drawing no.	
		11616101
DENKA-LIFT		
Wellestørrelse af drejekrans		
Drejekrans monteret		
Slewing ring, mounted		
Drehkranz montiert		

May not be copied or used unless authorized by DENKA LIFT A/S



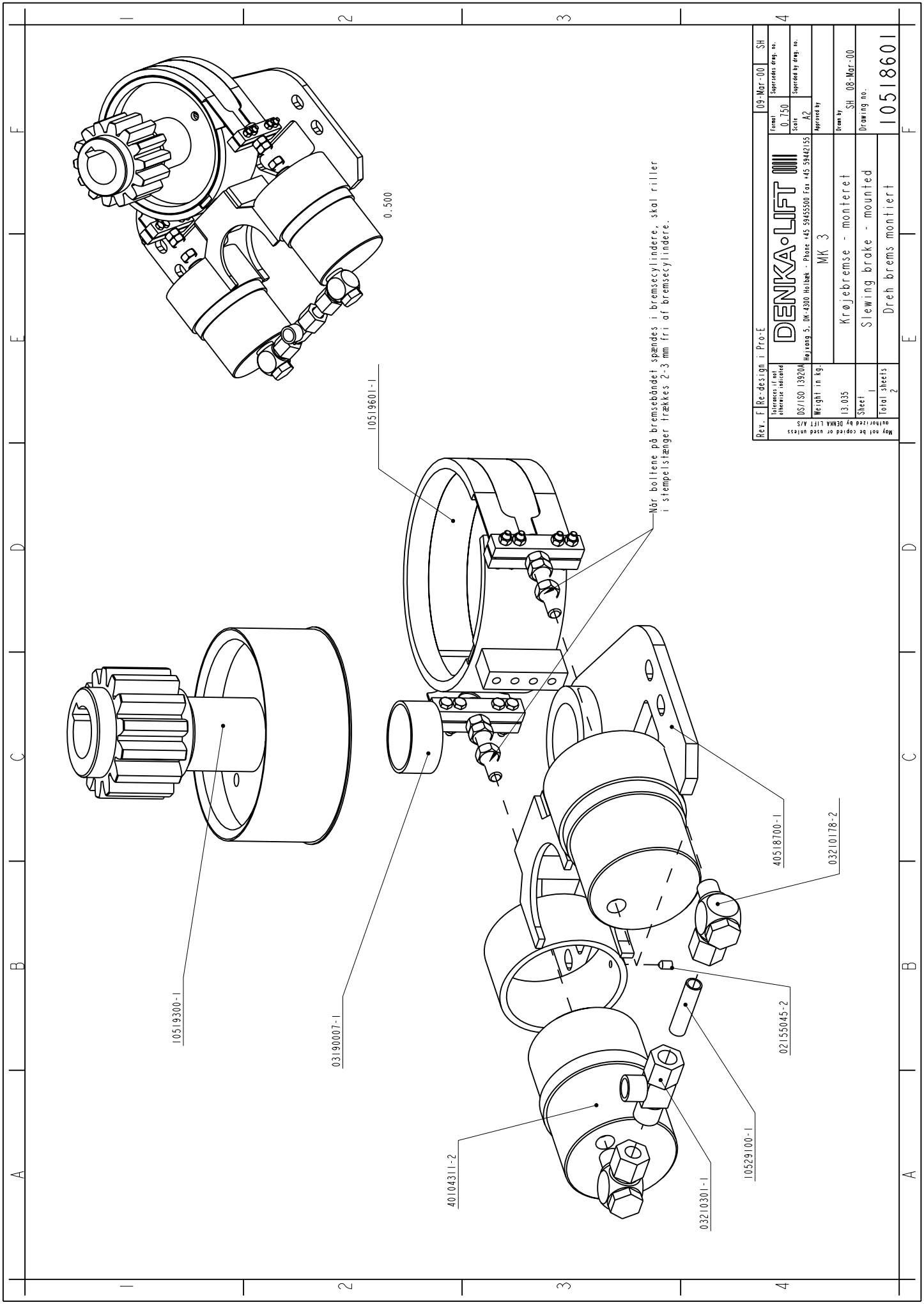
Dimensions (if not otherwise indicated)	Weight in kg: 33787.960	Sheet 1	Total sheets 1
<p style="text-align: center;">DENKA-LIFT</p> <p style="text-align: center;">DL1719722N</p> <p style="text-align: center;">Krojøarrangement monteret</p> <p style="text-align: center;">Slewing arrangement mounted</p> <p style="text-align: center;">Dreh arrangement mounted</p>			
Model: 0.400 Scale: A2		Supersedes drawing no.: DL1719722N	
Approved by: DB		Drawn by: DB	
Drawing no.: 12371101		Date: 12-Apr-00	
May not be copied or used unless authorized by DENKA LIFT A/S			

Højvang 5, DK-4300 Hvidebæk - Phone: +45 59465500 Fax: +45 59462155
 0.500



0.600

Tolerances (if not otherwise indicated)	Formel	Supersedes drawing no.
	0.600 Scale	
Weight in kg.	Mojevac 5, DM-4300-Heilbronn - Phone +45 59455500 Fax +45 59442155	Approved by
	1.803	most lifts
Sheet	El-drejeled	Drawn by DB_26-Apr-00
	Electric swivel joint	Drawing no.
Total sheets	Elektrisch Drehgelenk	16006421
May not be copied or used unless authorized by DENKA LIFT A/S		



Rev. F	Re-design i Pro-E	09-Mar-00	SH
Tolerance if not otherwise indicated	0.750	Supersedes drawing no.	
Scale	A2	Supersedes drawing no.	
Weight in kg.	13.035	Approved by	
Sheet	1	Drawn by SH 08-Mar-00	
Total sheets	2	Drawing no.	
Authorized by DENKA LIFT A/S		10518601	

DENKA-LIFT

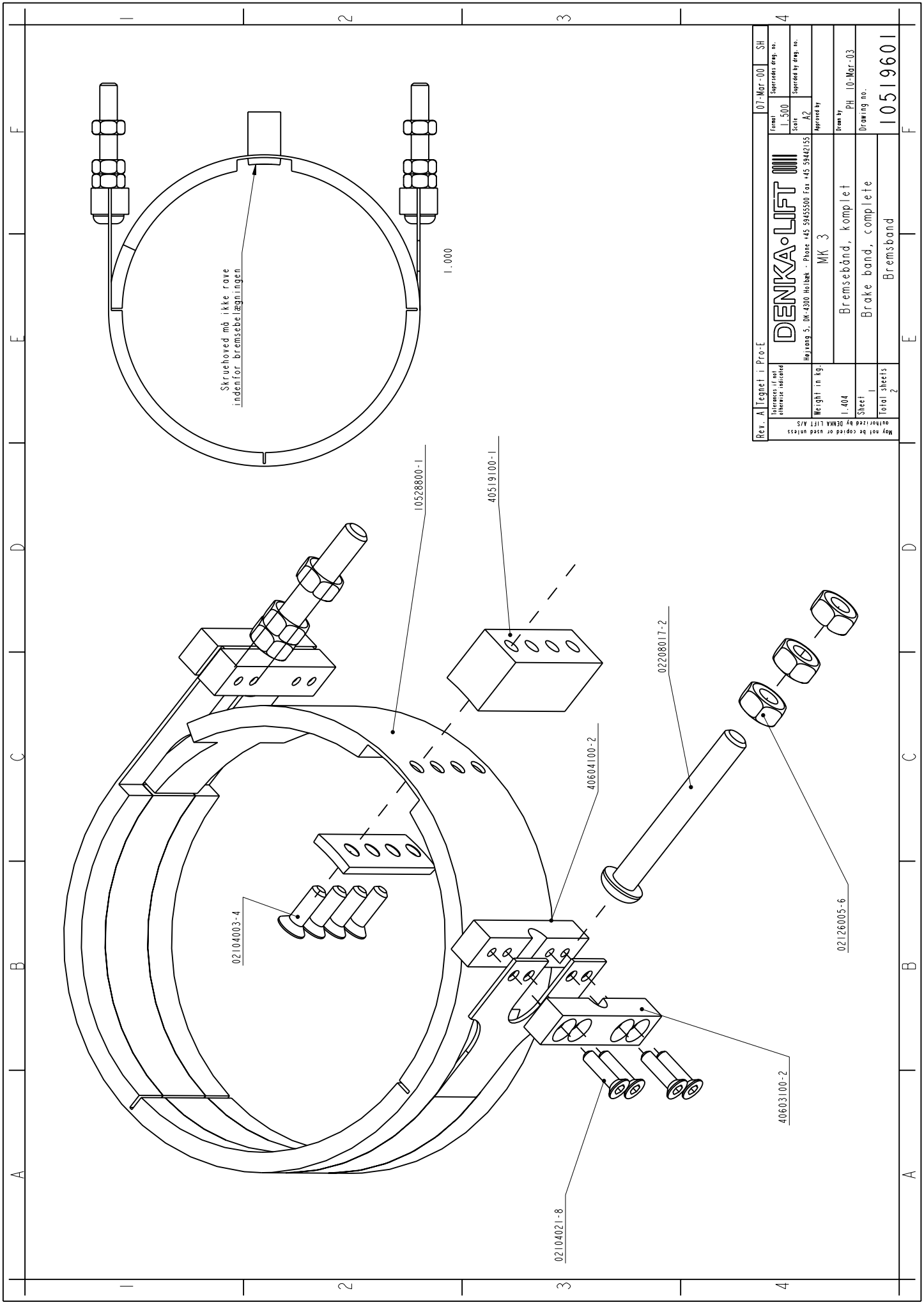
Møltrup 5, DK-4300 Høbbek - Phone +45 59455500 Fax +45 59442155

MK 3

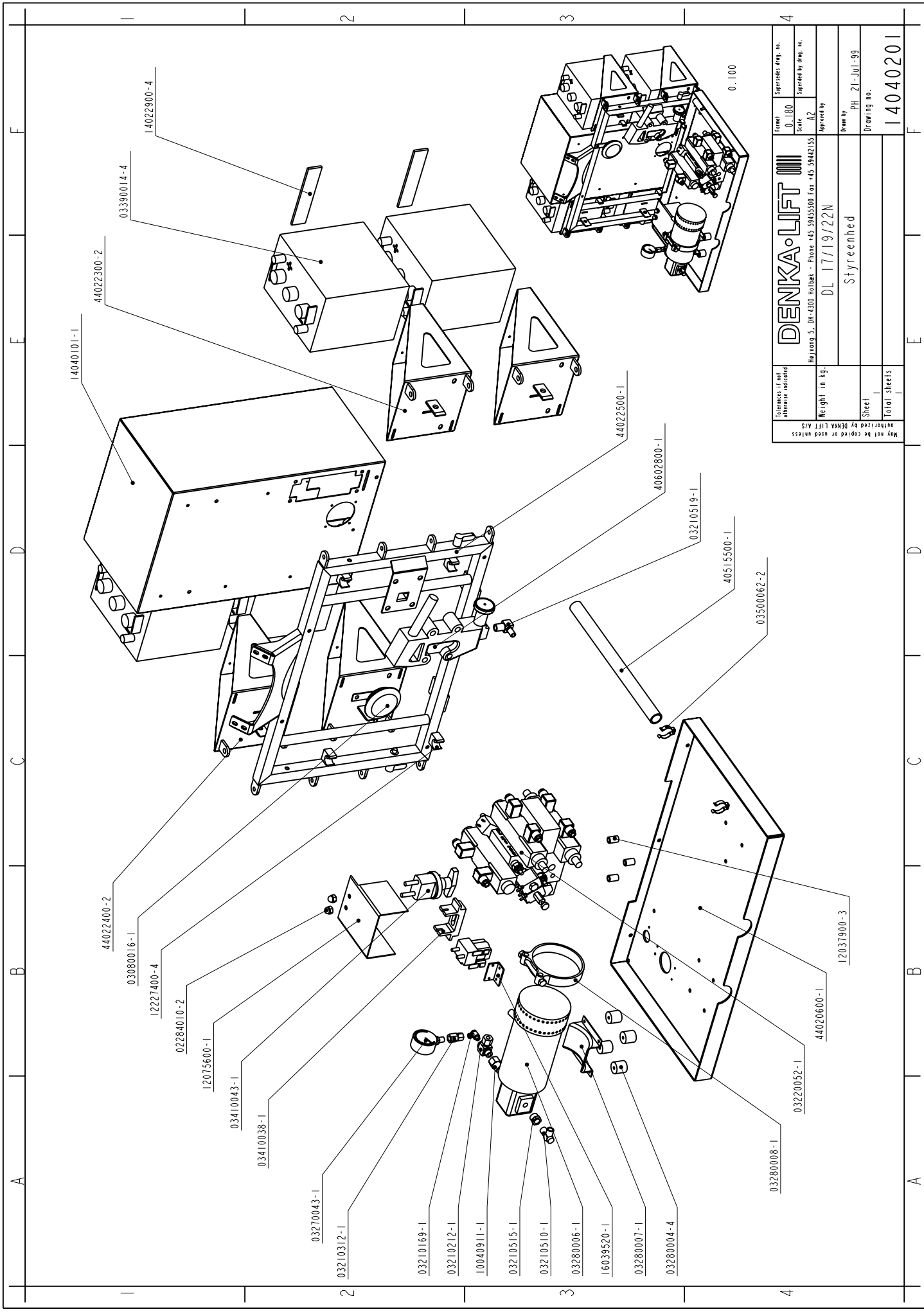
Krøjløbremse - monteret

Slewing brake - mounted

Dreh brems montiert



Rev. A	Tegnet i Pro-E	07-Mar-00	SH
Tolerances if not otherwise indicated		Format I-500	Supersedes drawing no.
Weight in kg 1.404		Scale A2	Superseded by drawing no.
Sheet 1		Approved by MK 3	
Total sheets 2		Drawn by PH 10-Mar-03	
May not be copied or used unless authorized by DENKA LIFT A/S		Drawing no. 10519601	
DENKA-LIFT		Brake band, complete	
Møltrup 5, DK-4300 Høbbek - Phone: +45 59455500 Fax: +45 59442155		Brandsband	



14040101-1

44022300-2

03390014-4

14022900-4

44022400-2

03080016-1

12227400-4

02284010-2

12075600-1

03410043-1

03410038-1

03270043-1

03210312-1

03210169-1

03210212-1

10040911-1

03210515-1

03210510-1

03280006-1

16039520-1

03280007-1

03280004-4

03280008-1

03220052-1

44020600-1

12037900-3

44022500-1

40602800-1

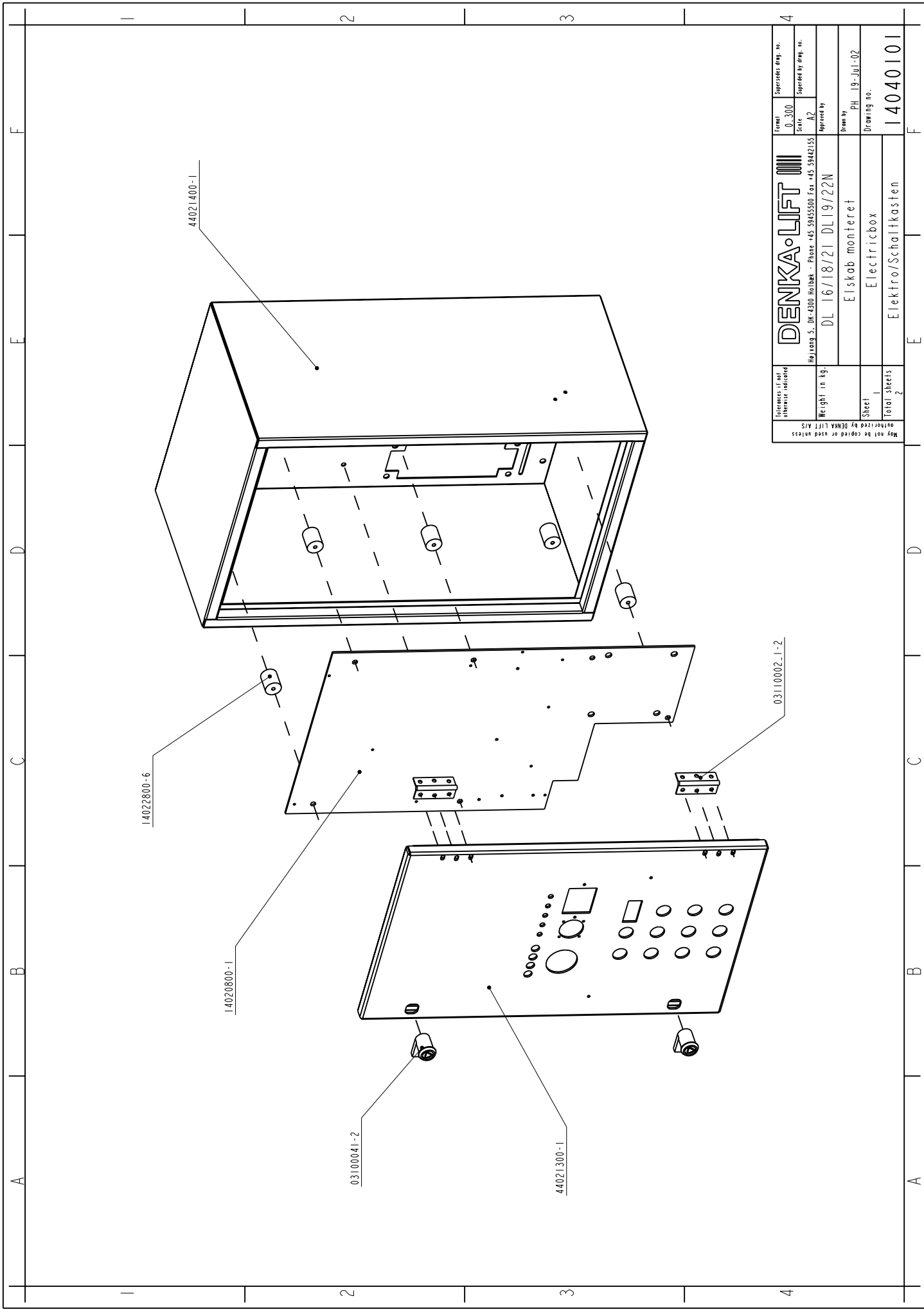
03210519-1

40515500-1

03500062-2

0:100

Dimensions (if not otherwise indicated)	Weight in kg:	DENKA-LIFT	
Form:	0:180	DL 17/19/22N	
Scale:	A2	Styrenated	
Superseded by desig. no.:	DL 17/19/22N	PH 21-Jul-99	
Approved by:		Drawing no.:	
Drawn by:		14040201	
May not be copied or used unless authorized by DENKA LIFT A/S			
Total sheets:			



Differences (if not otherwise indicated)	Formel	Supersedes drawing no.
	0_300	
Weight in kg:	Scale	Supersedes by drawing no.
	A2	
Sheet	Approved by	
	PH 19-Juli-02	
Total sheets	Drawn by	
	Electricbox	
DL 16/18/21 DLI9/22N		Drawing no.
Elskab monteret		
Elektro/Schaltkasten		14040101

May not be copied or used unless authorized by DENKA LIFT A/S

Mojezup 5, DK-4300 Haslev - Phone: +45 59455500 Fax: +45 59442155

DL 16/18/21 DLI9/22N

Elskab monteret

Electricbox

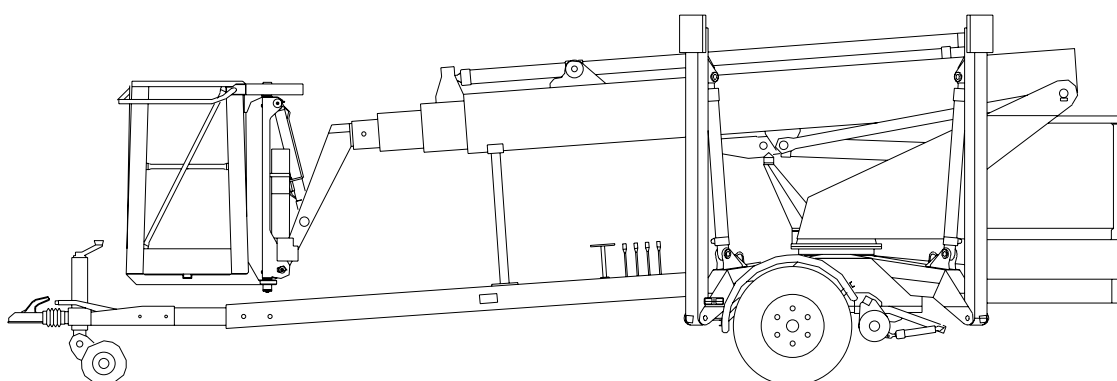
Elektro/Schaltkasten

14040101

**RESERVEDELS-
KATALOG**

**SPARE PARTS
CATALOGUE**

**ERSATZTEILS-
KATALOG**



DL18 - MK22

DL16 – MK21

BOM

BOOM

AUSLEGER

Version – 07.2004

Plate MK21-01a Boom section 1			Rev nr Rev.1	Date 13-07-95
Item. no	Art. no	Description	Note	
1	12043702	Boom section 1 MK21, std. type		
1	12044302	Boom section 1 MK22, std. type		
2	10726300	Guiding list		
3	10816500	Guiding list, 40x8x1000		
3	10915800	Guiding list, 40x8x1500		
5	10716100	Press nut M6		
6	10725600	Slide shoe, A2		
7	10776600	Liner f. slide shoe		
8	10727800	Screw CH A2 M10x17		
9	40810600	Chain fittings (2x3)		
10	02889012	Cylindric pin, 8x50mm		
11	10817402	Chain MK21		
11	10917302	Chain MK22		
12	10716200	Flat-cable lock, sect. 1, MK4		
13	02107007	Screw CH A2 M6x25		
14	02818004	Washer A2 M6		
15	03450151	Pilot cable, flat 27m 28 cond.	MK21	
15	03450153	Pilot cable, flat 29m 28 cond.	MK22	
16	10719300	Spacer f. Cable lock 6200		
17	10771800	Lock tube f. cable lock		
18	10722500	Slide plate, non-fric		
19	02174005	Screw UH A2 M8x16		
20	10016922			
21	02107009	Screw CH A2 M6x12		
22	02107009	Screw CH A2 M6x12		
23	02107024	Screw CH A2 M10x25		
24	02244000	Screw UH A2 M6x13		
40	02107040	Screw CH A2 M6x14		
41	42042200	Cover f. flat cable l=1100mm		
42	40913800	Cover f. flat cable l=600mm		
43	42042800	Cover f. flat cable l=910mm	MK21	
43	42042300	Cover f. flat cable l=1360mm	MK22	
44	02107005	Screw CH A2 M6x16		
45	10810200	Cylind. carriage, sect.1 MK5/6		
46	40813800	Coverage, angul. f. flat cable		
47	42042100	Cover f. flat cable		
49	02107006	Screw CH A2 M6x20		
51	40711400	Chain adjuster		
52	10714400	Axle		
53	02497002	Circlip, ø20x1.2 A2		

Plate MK21-01a B e t 1			Rev nr Rev.1	Date 13-07-95
Item. no	Art. no	Description	Note	
54	02100029	Screw CH FZB M12x80		
55	03500012	Disc spring, 28x12.2x1.00		
56	02100027	Screw CH FZB M12x60		
57	03500011	Disc spring, 28x12.2x1.00		
58	10917100	Stud bolt M12x250		
61	02115006	Nut 8 FZB M12		
62	03090018	Llimit switch, XCK-P510		
63	02821001	Washer FZB M4		
64	02151005	Screw UH 4.8 FZB M4x30		
65	02818003	Washer A2 M5		
66	02177002	Screw UH A2 M5x10		
67	16008620			
68	02157001	Screw CH 4.8 FZB M4x10		
69	02889009	Cylindric pin, 8x32mm		
70	40721600	Chain fittings (3x3)m.M4		
70	40726500	Chain fittings (3x3) u.M4		
71	02155012	Grub screw A2 M5x10		
72	10817302	Chain MK21		
72	10917202	Chain MK22		
73	40810500	Chain buckle		
74	14000820	Guard		
75	02107029	Screw CH A2 M12x25		
76	10810300	Flange f. boom cyl. fixture		
77	02107029	Screw CH A2 M12x25		
78	02107029	Screw CH A2 M12x25		
79	02818010	Washer A2 M20		
58	10816600	Stud bolt M12x320		

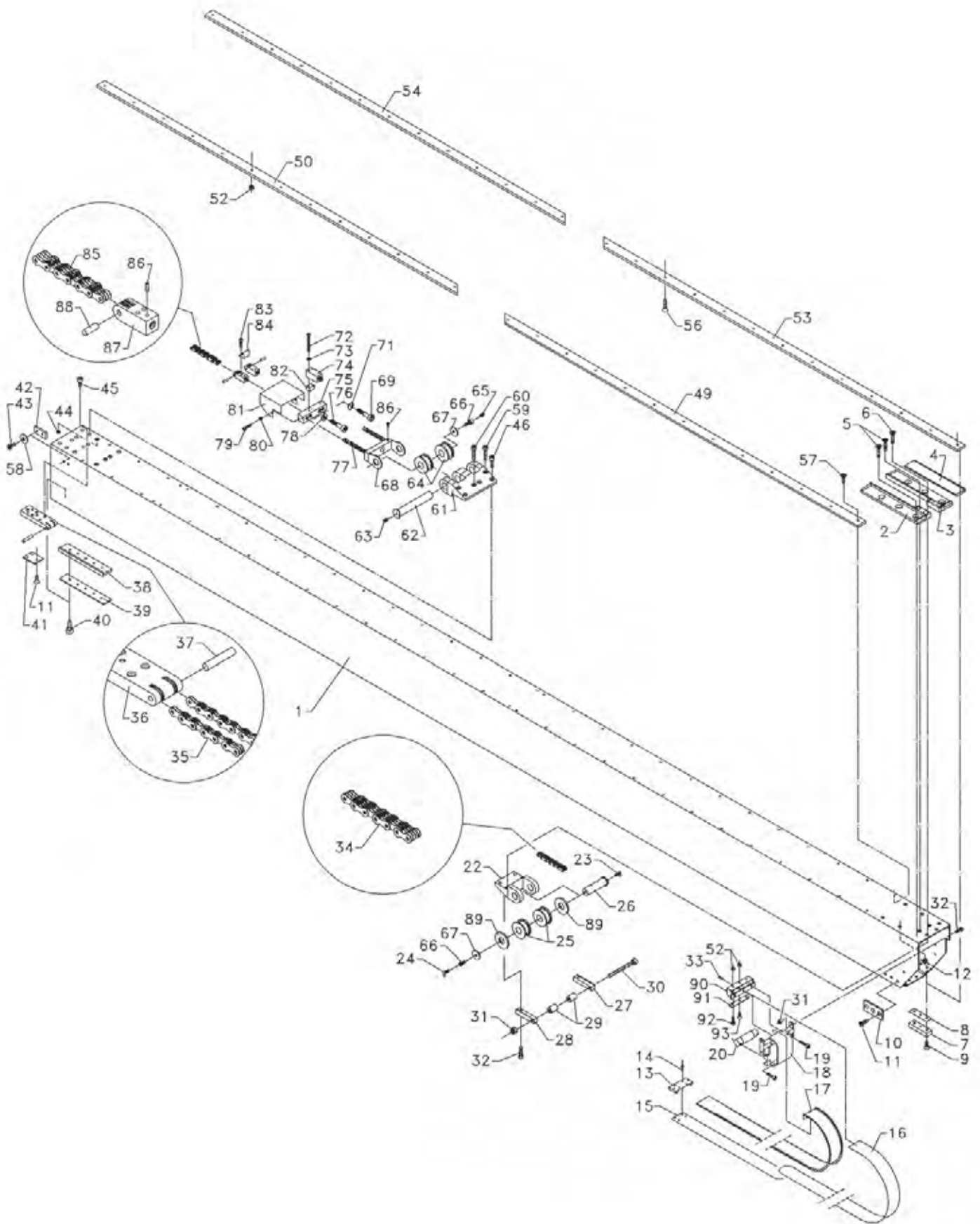


Plate MK21-02a B e t 2			Rev nr Rev.1	Date 13-07-95
Item. no	Art. no	Description	Note	
14	02000070	Tubular rivet 4.0x11 CAP		
15	10822700			
15	10921700			
16	03450151	Pilot cable, flat 27m 28 cond.	MK21	
16	03450153	Pilot cable, flat 29m 28 cond.	MK22	
17	10821200			
17	10920200			
18	10822400	Side bedding		
19	02107008	Screw CH A2 M6x30		
20	10821400			
22	10720900	Chain roller bracket		
23	03500004	Grease nipple,, 1/8"RG 90 Gr.		
24	03500000	Grease nipple, 6mm 90gr		
25	10730500	Chain roller		
26	10742900	Axle f. chain roller		
27	10722600			
28	10725200			
29	10722200	Chain roller		
30	02127038	Screw A2 M6x120		
31	02199004	Lock nut A2 M6		
32	02107007	Screw CH A2 M6x25		
33	02896001			
34	10817302	Chain MK21		
34	10917402	Chain MK22		
35	10824102	Chain MK21		
35	10922902	Chain MK22		
36	40721700	Chain fittings, MK21		
37	02889012	Cylindric pin, 8x50mm		
38	10732300	Slide shoe, A2		
39	10716900	Liner f. slide shoe		
40	10727800	Screw CH A2 M10x17		
41	10722500	Slide plate, non-fric		
42	10016922			
43	02107009	Screw CH A2 M6x12		
44	10722700	Press nut M12 - 4.5		
45	02107033	Screw CH A2 M12x45		
46	02107031	Screw CH A2 M12x35		
49	10733600	Guiding list		
50	10823500	Guiding list, 35x8x1000		
50	10922100	Guiding list, 35x8x1500		
52	10716100	Press nut M6		

Plate MK21-02a Boom section 2			Rev nr Rev.1	Date 13-07-95
Item. no	Art. no	Description	Note	
53	10726300	Guiding list		
54	10915800	Guiding list, 40x8x1500		
54	10816500	Guiding list, 40x8x1000		
56	02174005	Screw UH A2 M8x16		
57	02244113	Screw UH A2 M6x14		
58	02818004	Washer A2 M6		
59	02107033	Screw CH A2 M12x45		
60	02107032	Screw CH A2 M12x40		
61	10730800	Chain roller bracket		
62	10732900	Axle f. chain roller		
63	03500002	Grease nipple, 1/8"RG		
64	10730900	Chain roller		
65	03500006	Grease nipple, 6mm H1A		
66	10721900	Lubrication screw, M10		
67	10722000	Washer, ø40x11x5mm		
68	40731000	Chain adjuster		
69	02100030	Screw CH FZB M12x90		
71	03500012	Disc spring, 28x12.2x1.00		
72	02151005	Screw UH 4.8 FZB M4x30		
73	02821001	Washer FZB M4		
74	03090018	Llimit switch, XCK-P510		
75	40732000	Chain buckle, sect. 3		
76	02100026	Screw CH FZB M12x55		
77	10728000	Stud bolt M12x135		
78	03500011	Disc spring, 28x12.2x1.00		
79	02157008	Screw CH 4.8 FZB M5x10		
80	02818003	Washer A2 M5		
81	13002420	Guard		
82	16008820			
83	02157001	Screw CH 4.8 FZB M4x10		
84	10004220			
85	10824002	Chain MK21		
85	10922802	Chain MK22		
86	02155012	Grub screw A2 M5x10		
87	40730700	Chain fittings (4x5) m M4		
87	40733200	Chain fittings (4x5) u M4		
88	02889008	Cylindric pin, 8x28mm		
89	10820300	Spacer chain roller bracket		
90	10822600	Clamp		
91	10822500			

Plate MK21-02a B e t 2			Rev nr Rev.1	Date 13-07-95
Item. no	Art. no	Description	Note	
92	02107005	Screw CH A2 M6x16		
93	02244007	Screw UH A2 M6x16		
1	10922602	Boom section 2 MK22, std. type		
1	10823902	Boom section 2 MK21, std. type		
2	10822900	Fixture f. slide face		
3	10820200	Fixture f. slide face		
4	40730300	Slide face, 07303		
5	02244029	Screw UH A2 M12x40		
6	02244030	Screw UH A2 M12x50		
7	10820700			
8	10724600	liner		
9	02244018	Screw UH A2 M8x25		
10	10722400	Guide plate, non-fric		
11	02244017	Screw UH A2 M8x20		
12	02199007	Lock nut A2 M12		
13	10920700			
36	40820400	Chain fittings, MK22		

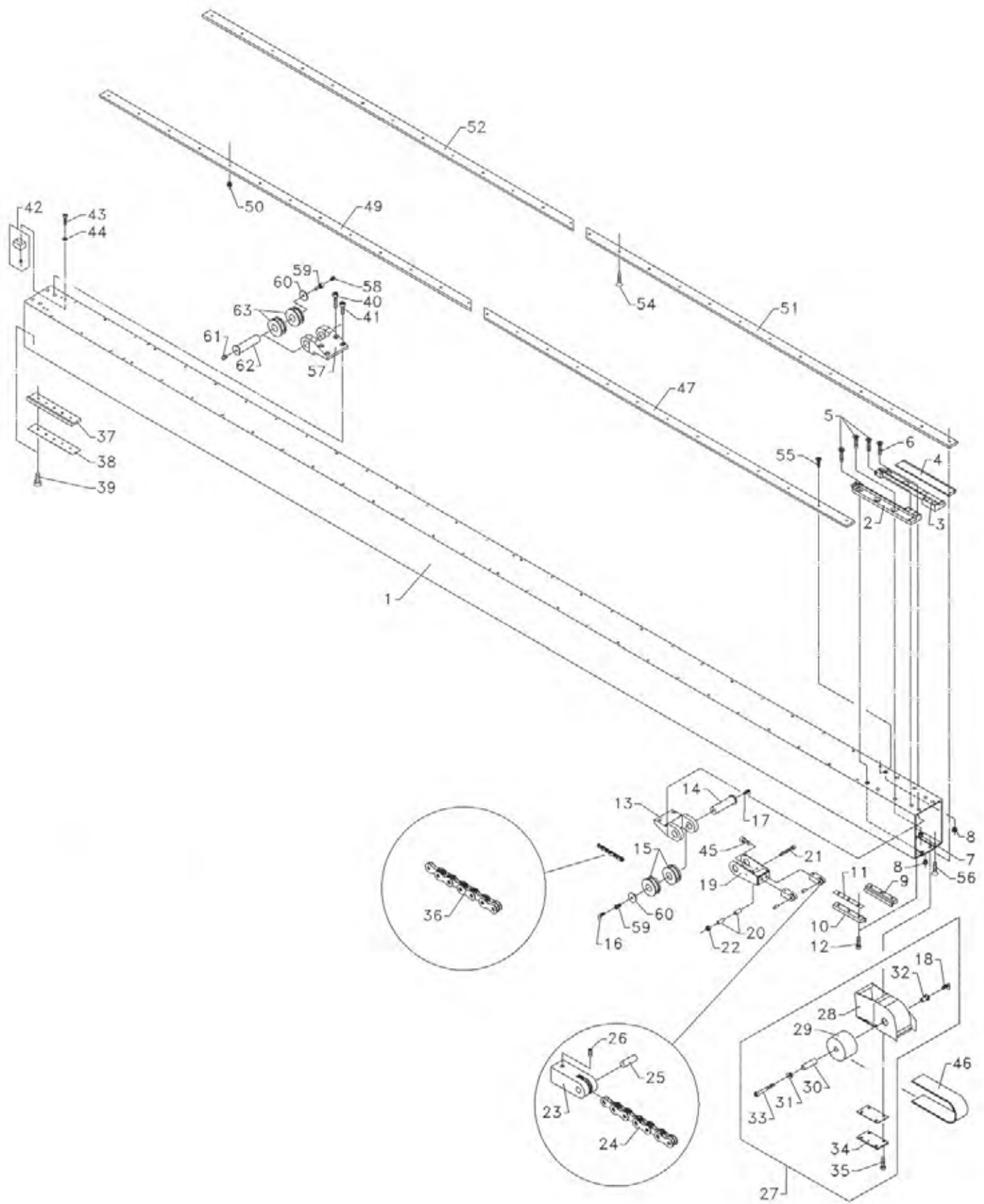


Plate MK21-03a B e t 3			Rev nr Rev.1	Date 13-07-95
Item. no	Art. no	Description	Note	
1	10830101	Boom section 3 MK21, std. type		
1	10930101	Boom section 3 MK22, std. type		
2	40743100	Fixture 07431 f. slide face		
3	40740200	Fixture 07402 f. slide face		
4	40740300	Slide face, 07403		
5	02244029	Screw UH A2 M12x40		
6	02244030	Screw UH A2 M12x50		
7	02199007	Lock nut A2 M12		
8	10722700	Press nut M12 - 4.5		
9	10743300	Slide shoe, 07433 L		
10	10741700	Slide shoe, 07417 R		
11	10741800			
12	02244008	Screw UH A2 M6x20		
13	10740400	Chain roller bracket		
14	10742800	Axle f. chain roller		
15	10740500	Chain roller		
16	03500000	Grease nipple, 6mm 90gr		
17	03500004	Grease nipple,, 1/8"RG 90 Gr.		
18	03500027	Grease nipple, M8 H3 90 degr.		
19	40740600	Chain adjuster		
20	10743000	Chain roller		
21	02127028	Screw A2 M6x80		
22	02126004	Nut A2 M6		
23	40740700	Chain fittings (2x3) u.M4		
24	10917302	Chain MK22		
24	10817402	Chain MK21		
25	02989001			
26	02155012	Grub screw A2 M5x10		
27	10741101			
28	10741200			
29	10724100			
30	40724200	Axle		
31	10724400	Bushing		
32	10724300	Bushing		
33	02244035	Screw UH A2 M8x60		
34	10741600			
35	02244018	Screw UH A2 M8x25		
36	10824102	Chain MK21		
36	10922902	Chain MK22		
37	10742300	Slide shoe, A2		

Plate MK21-03a B e t 3			Rev nr Rev.1	Date 13-07-95
Item. no	Art. no	Description	Note	
38	10776700	Liner f. slide shoe		
39	02107022	Screw CH A2 M10x16		
40	02107033	Screw CH A2 M12x45		
41	02107004	Screw CH A2 M6x10		
42	10744700	Slide plate, non-fric		
43	02107007	Screw CH A2 M6x25		
44	02818004	Washer A2 M6		
45	02100026	Screw CH FZB M12x55		
46	03450151	Pilot cable, flat 27m 28 cond.	MK21	
46	03450153	Pilot cable, flat 29m 28 cond.	MK22	
47	10743600	Guiding list		
49	10831000	Guiding list, 30x8x1000		
49	10930500	Guiding list, 30x8x1500		
50	10716100	Press nut M6		
51	10733600	Guiding list		
52	10823500	Guiding list, 35x8x1000		
52	10922100	Guiding list, 35x8x1500		
54	02174005	Screw UH A2 M8x16		
55	02244000	Screw UH A2 M6x13		
56	02174005	Screw UH A2 M8x16		
57	10740800	Chain roller bracket		
58	03500026	Grease nipple, M8 H1		
59	10721900	Lubrication screw, M10		
60	10722000	Washer, ø40x11x5mm		
61	03500002	Grease nipple, 1/8"RG		
62	10742900	Axle f. chain roller		
63	10721000	Chain roller		

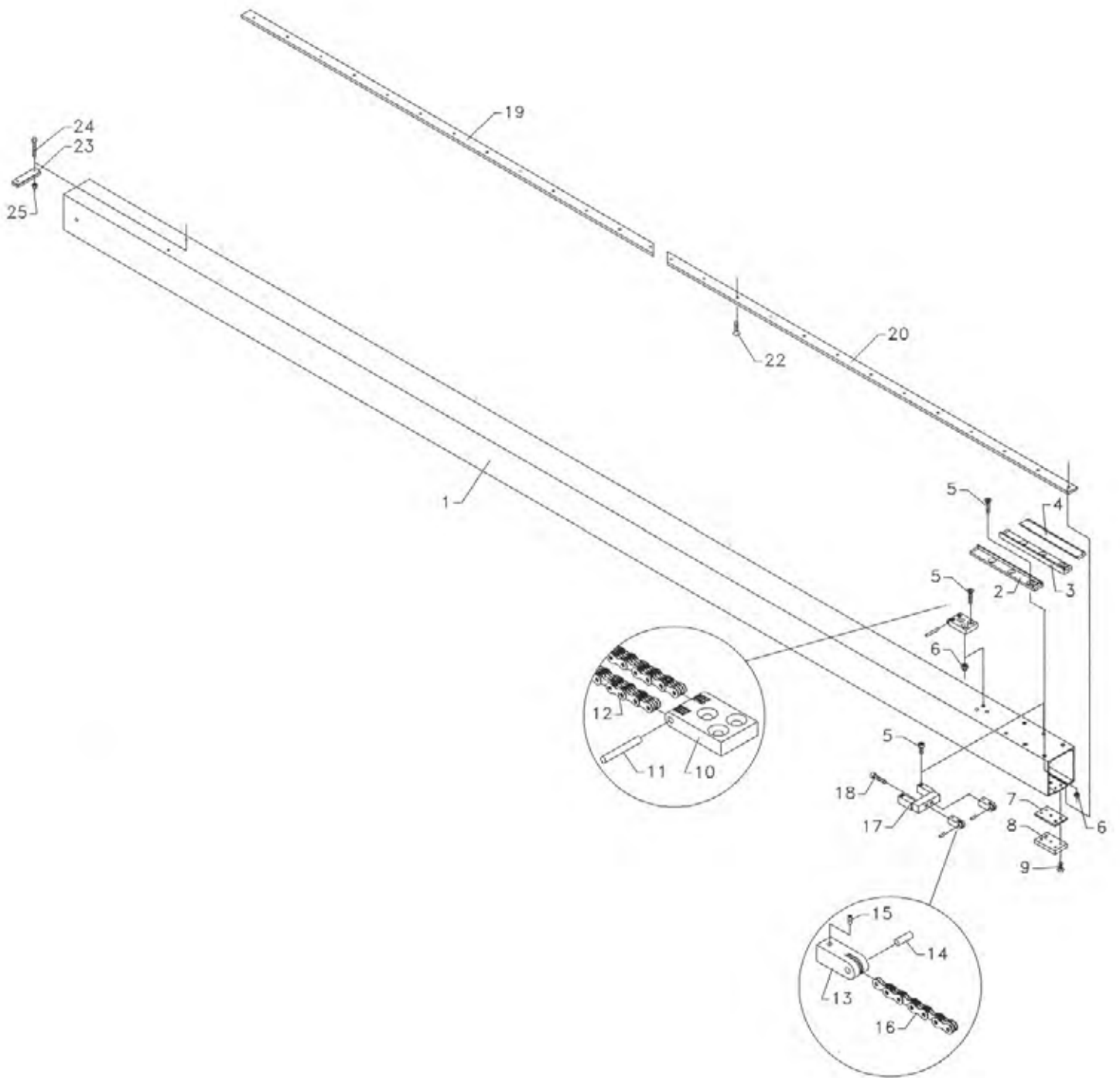


Plate MK21-04a B e t 4			Rev nr Rev.1	Date 13-07-95
Item. no	Art. no	Description	Note	
1	12055001	Boom section 4 MK21, std. type		
1	10940101	Boom section 4 MK22, std. type		
2	10751300	Fixture 07513 f. slide face		
3	10750200	Fixture 07502 f. slide face		
4	40750300	Slide face 07503, sect.5 rear		
5	02107032	Screw CH A2 M12x40		
6	02199007	Lock nut A2 M12		
7	10751200	liner		
8	10750600	Slide plate/guide pl. non-fric		
9	02244017	Screw UH A2 M8x20		
10	40750500	Chain fittings (4x5)		
11	02989006			
12	10824002	Chain MK21		
12	10922802	Chain MK22		
13	40740700	Chain fittings (2x3) u.M4		
14	02989001			
15	02155012	Grub screw A2 M5x10		
16	10824102	Chain MK21		
16	10922902	Chain MK22		
17	40750400	Chain adjuster		
18	02100025	Screw CH FZB M12x50		
19	10743600	Guiding list		
20	10831000	Guiding list, 30x8x1000		
20	10930500	Guiding list, 30x8x1500		
22	02174008	Screw UH A2 M6x25		
23	10751000	Flat-cable lock		
24	02244013	Screw UH A2 M6x50		
25	02199004	Lock nut A2 M6		

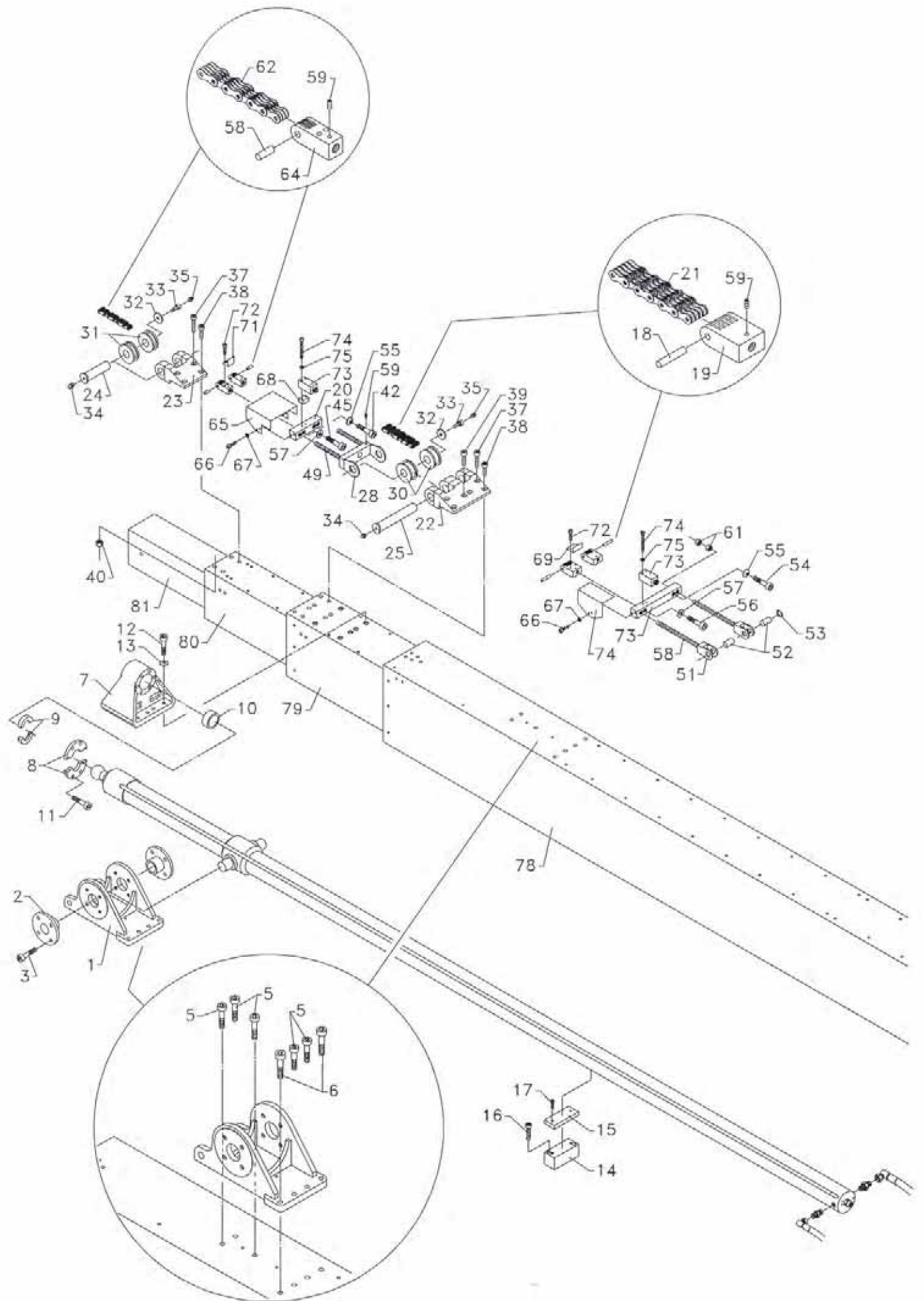


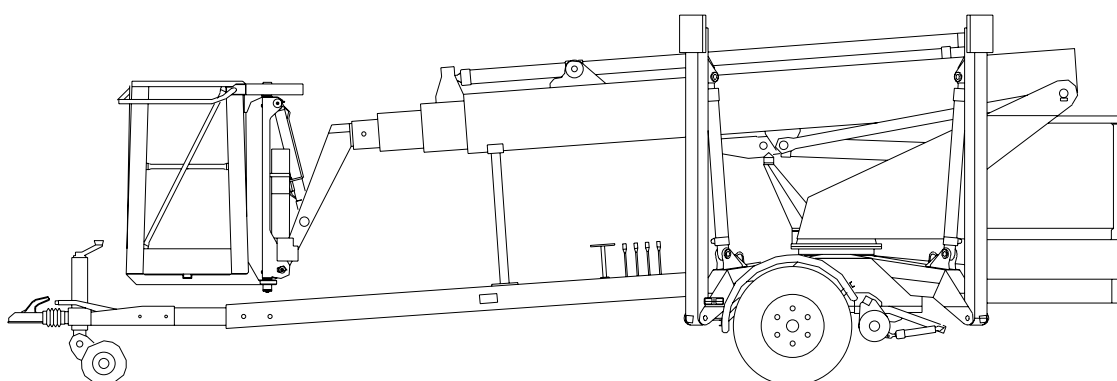
Plate MK21-05a B a e l e			Rev nr Rev.1	Date 13-07-95
Item. no	Art. no	Description	Note	
1	10810200	Cylind. carriage, sect.1 MK5/6		
2	10810300	Flange f. boom cyl. fixture		
3	02107029	Screw CH A2 M12x25		
5	02107029	Screw CH A2 M12x25		
6	02107029	Screw CH A2 M12x25		
7	10820800	Anchor f. cylin. sect. 2 MK5/6		
8	10720400	Flange, two-piece		
9	10720600			
10	10720500			
11	02107030	Screw CH A2 M12x30		
12	02107031	Screw CH A2 M12x35		
13	02818007	Washer A2 M12		
14	10714300			
15	10771700	Rubber pad f. cylinder support		
16	02107018	Screw CH A2 M8x45		
17	02107007	Screw CH A2 M6x25		
18	02889009	Cylindric pin, 8x32mm		
19	40721600	Chain fittings (3x3)m.M4		
19	40726500	Chain fittings (3x3) u.M4		
20	40732000	Chain buckle, sect. 3		
21	10817302	Chain MK21		
21	10917202	Chain MK22		
22	10730800	Chain roller bracket		
23	10740800	Chain roller bracket		
24	10742900	Axle f. chain roller		
25	10732900	Axle f. chain roller		
28	40731000	Chain adjuster		
31	10730900	Chain roller		
30	10721000	Chain roller		
32	10722000	Washer, ø40x11x5mm		
33	10721900	Lubrication screw, M10		
34	03500002	Grease nipple, 1/8"RG		
35	03500006	Grease nipple, 6mm H1A		
37	02107033	Screw CH A2 M12x45		
38	02107031	Screw CH A2 M12x35		
39	02107032	Screw CH A2 M12x40		
40	02199007	Lock nut A2 M12		
42	02100030	Screw CH FZB M12x90		
45	02100026	Screw CH FZB M12x55		
48	02889008	Cylindric pin, 8x28mm		

Plate MK21-05a B a e l e			Rev nr Rev.1	Date 13-07-95
Item. no	Art. no	Description	Note	
49	10777000	Stud bolt M12x140		
51	40711400	Chain adjuster		
52	10714400	Axle		
53	02497002	Circlip, ø20x1.2 A2		
54	02100028	Screw CH FZB M12x75		
55	03500012	Disc spring, 28x12.2x1.00		
56	02100026	Screw CH FZB M12x55		
57	03500012	Disc spring, 28x12.2x1.00		
58	10917100	Stud bolt M12x250		
59	02155012	Grub screw A2 M5x10		
60	40810500	Chain buckle		
61	02115006	Nut 8 FZB M12		
62	10824002	Chain MK21		
62	10922802	Chain MK22		
64	40730700	Chain fittings (4x5) m M4		
64	40733200	Chain fittings (4x5) u M4		
65	13002420	Guard		
66	02157008	Screw CH 4.8 FZB M5x10		
67	02818003	Washer A2 M5		
68	16008820			
69	16008620			
70	14000820	Guard		
71	10004220			
72	02157001	Screw CH 4.8 FZB M4x10		
73	03090018	Llimit switch, XCK-P510		
74	02151005	Screw UH 4.8 FZB M4x30		
75	02821001	Washer FZB M4		
78	12043702	Boom section 1 MK21, std. type		
78	12044302	Boom section 1 MK22, std. type		
79	10823902	Boom section 2 MK21, std. type		
79	10922602	Boom section 2 MK22, std. type		
80	10830101	Boom section 3 MK21, std. type		
80	10930101	Boom section 3 MK22, std. type		
81	10940101	Boom section 4 MK22, std. type		
81	12055001	Boom section 4 MK21, std. type		
58	10816600	Stud bolt M12x320		

**RESERVEDELS-
KATALOG**

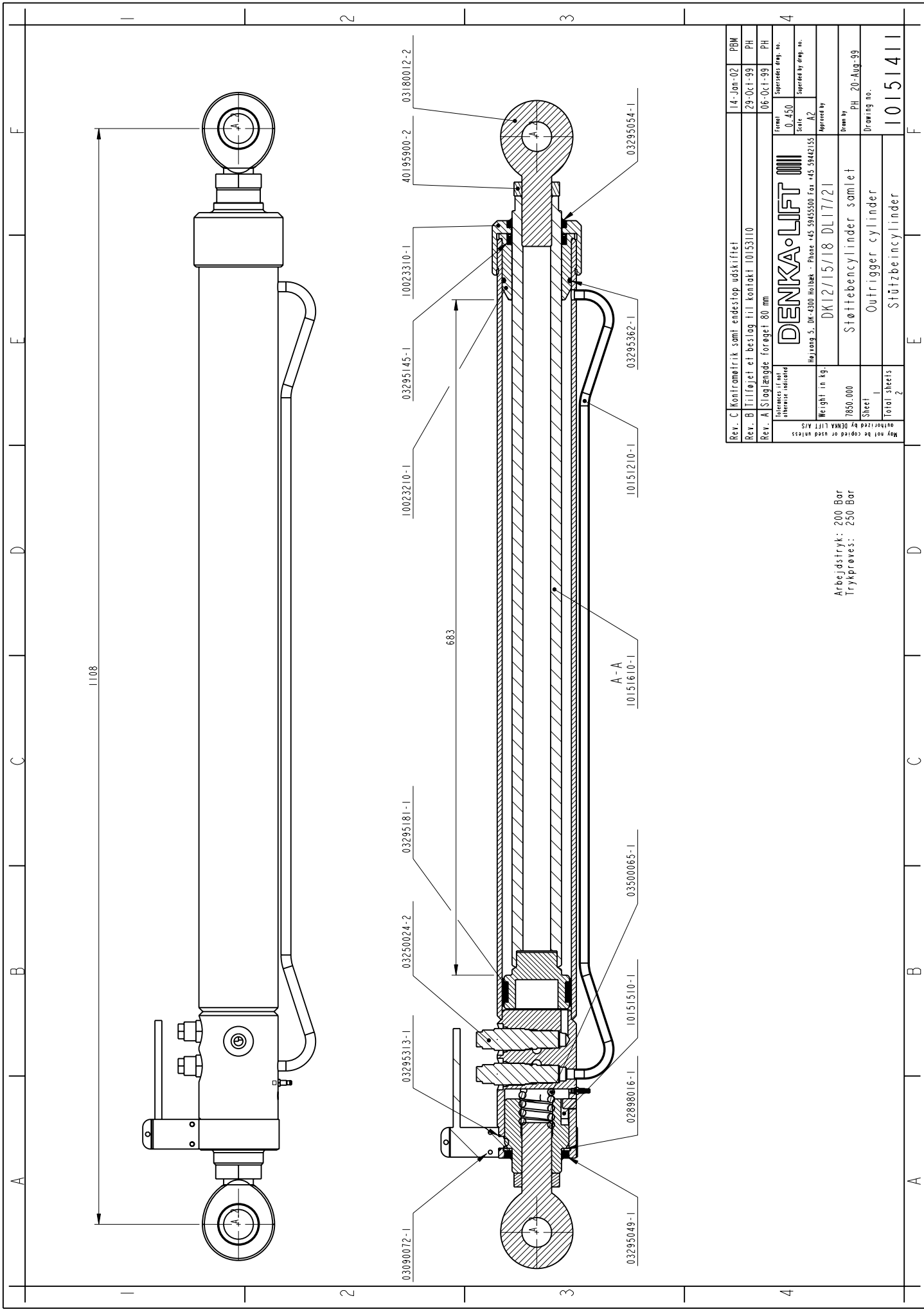
**SPARE PARTS
CATALOGUE**

**ERSATZTEILS-
KATALOG**



**CYLINDER
ZYLINDER**

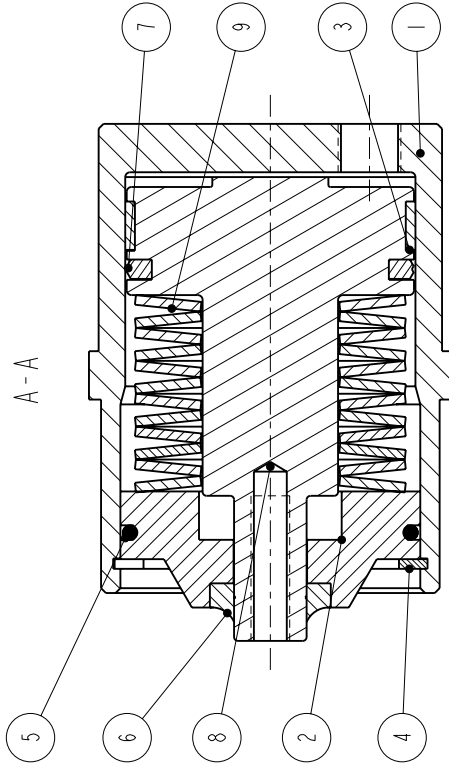
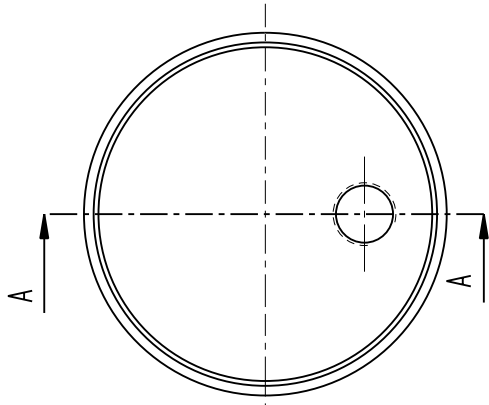
Version – 07.2004



Arbejdstryk: 200 Bar
 Trykprøves: 250 Bar

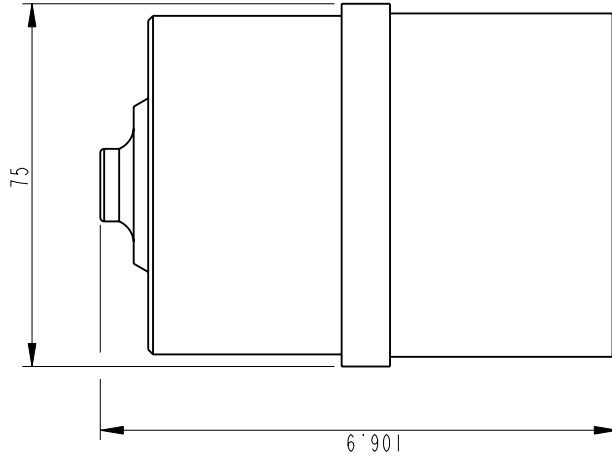
Rev. C	Konfræmetrik samt endestop udskiftet	14-Jan-02	PBM
Rev. B	Tilføjet et beslag til kontakt 10153110	29-Oct-99	PH
Rev. A	Slaglængde forøget 80 mm	06-Oct-99	PH
Tolerances if not otherwise indicated		Formel 0.450	Supersedes drawing no.
Weight in kg		Scale A2	Superseded by drawing no.
<p>DENKA-LIFT</p> <p>Højvang 5, DK-4200 Hvidebø - Phone: +45 59455500 Fax: +45 59442155</p>			
Approved by		DK12/15/18 DL17/21	
Authorized by DENKA LIFT A/S		Støttebencylinder samlet	
7850.000		Omrigger cylinder	
Sheet 1		Stützbeencylinder	
Total sheets 2		10151411	

A B C D E F

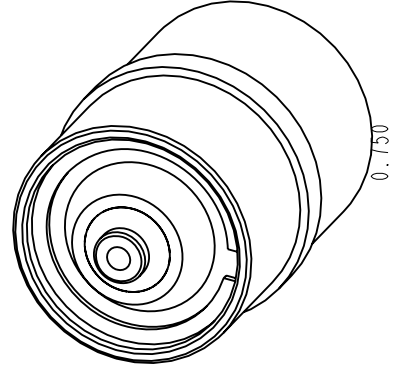


A - A

Arbejdsdruk: 200 Bar
Trykprøves: 250 Bar



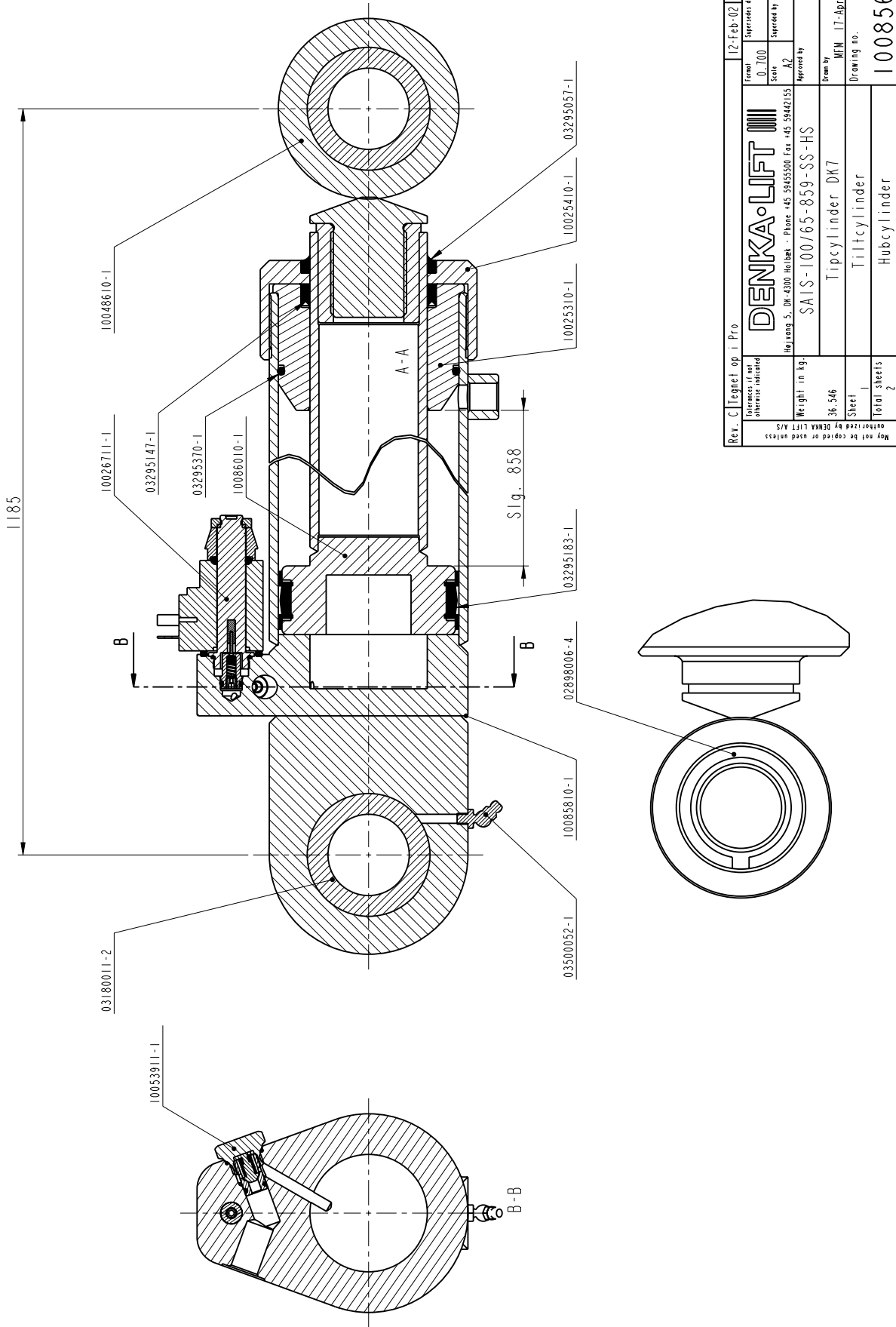
Note: Males 80-120 µm



Note: Komplet pakn. sæt, pos. 3, 5 og 6, vnr. 10104312

Rev. B	Tegnet i Pro-E	07-Mar-00	SH			
9	T-fjeder 56x28.5x2	12	03500040 0.028			
8	Stempel 01103038	I S355 J263	EN 10025 10104610 0.671			
7	Simko 300 60-49-4	I	03295186 0.000			
6	Pakn. AS 15-25-5-8	I	03295062 0.005			
5	O-RING 55x3	I	03295410 0.000			
4	Låserring J62 Ø62x2.0	I	02898010			
3	EFFK Føringsbånd 60-56-10	I	03295120 0.000			
2	Dækkel 1401003	I	10104510 0.325			
1	Cylinderrør 01103040	I S355 J263	EN 10025 10104410 1.008			
Item	Subject	No.	Quality	Standard	Id no.	Weight
Tolerances if not otherwise indicated						
Hejvang 5, DK-4300 Holbæk - Phone +45 59455500 Fax +45 59442155						
Approved by						
Scale 1:000						
Supersedes drwg. no.						
Format A3						
Supersedes by drwg. no.						
Weight in kg. 2.428						
SAIS - 60/28 - 10						
Bremsecylinder						
Drawing no. 40104311						
Drawn by SH 07-Mar-00						

A B C D E F



Rev. C Tegnet op i Pro	12-Feb-02	PH
Tolerance if not otherwise indicated	Formal Scale	Supersedes drawing no.
	0:100	
	A2	Superseded by drawing no.
Weight in kg	Approved by	
36.546	MFM 17-Apr-00	
Sheet 1	Drawing no.	
Total sheets 2	Hubcylinder	
May not be copied or used unless authorized by DENKA LIFT A/S	10085611	

DENKA-LIFT

SAIS-100765-859-SS-HS

Tipscylinder DK7

Tiltcylinder

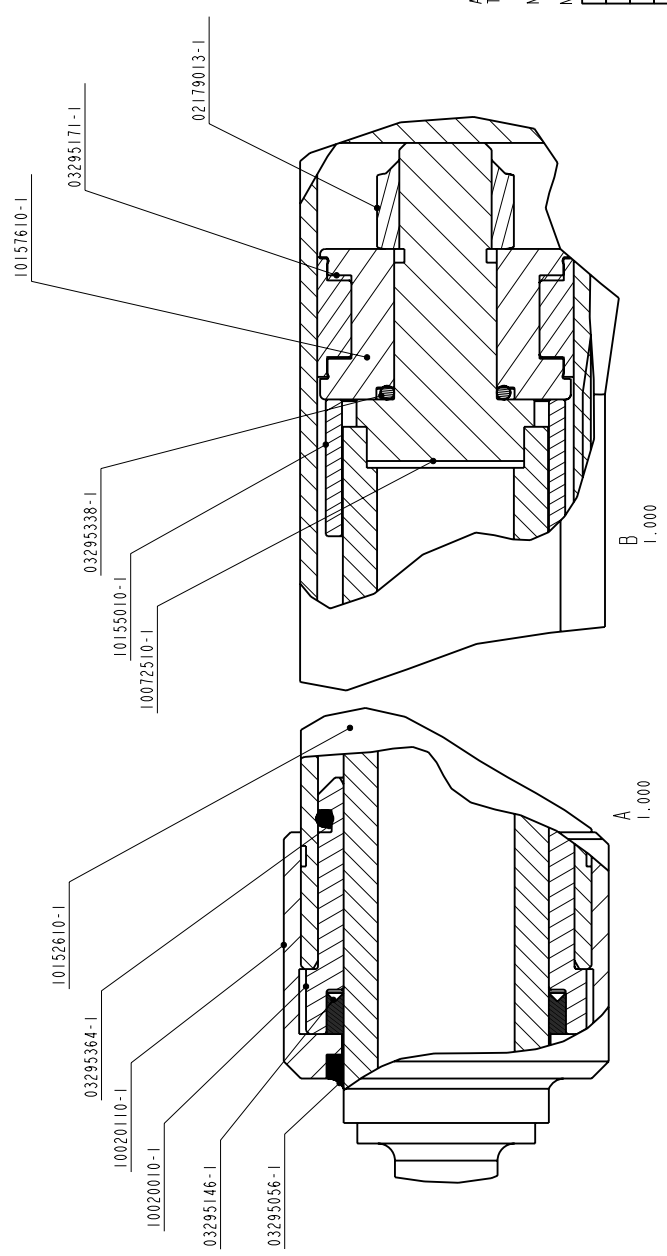
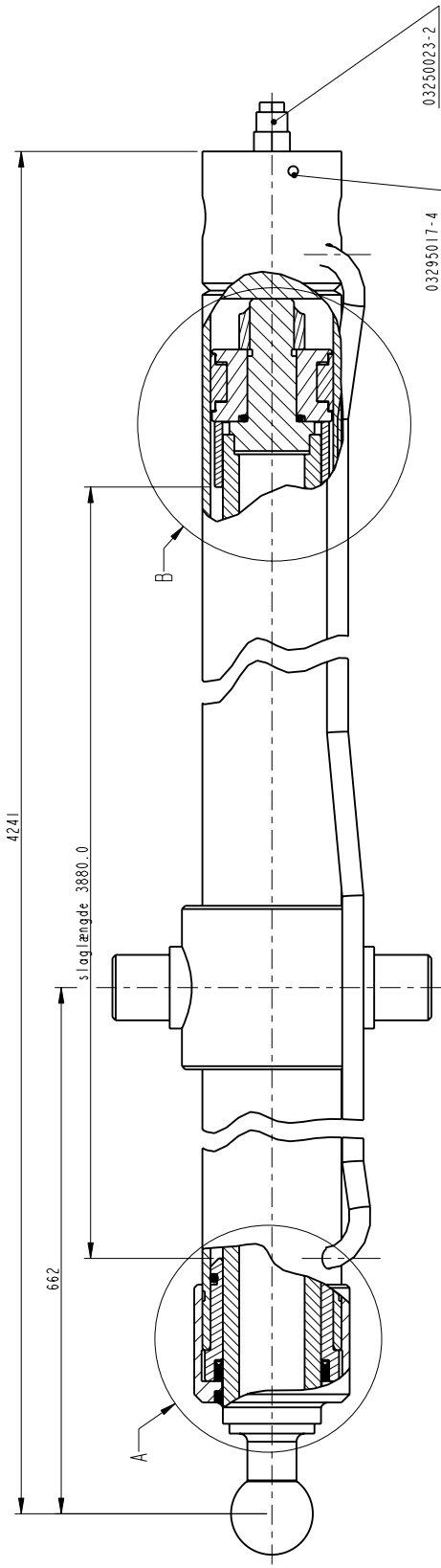
Hubcylinder

Model no. 5, DK-4200 Hubcyl. - Phone +45 59455500 Fax +45 59442155

Weight in kg

Sheet

Total sheets



Arbejdstryk: 200 Bar
 Trykprøves: 250 Bar
 NOTE: Komplet pakningsset varent.
 Note: Males 80-120 µm

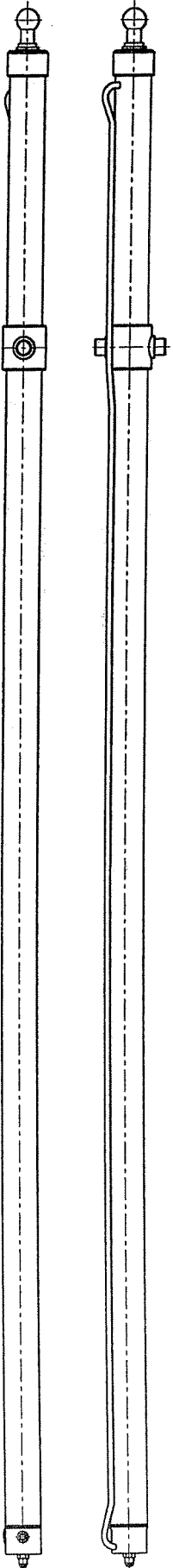
Rev. D Stempel 10019910 adskiltiel med 10157610	26-Mar-02	PH
Rev. C Stempel 10105210 adskiltiel med 10019910 og 10155010	09-Mar-00	MFM
Rev. C Cylinder nr 10072210 adskiltiel med 10152610	09-Mar-00	MFM
Scale	0-500	Supersedes drawing no.
Scale	A2	Superseded by drawing no.
Approved by	DAIS - 75760-3880-VK-HS	
Weight in kg	Bomcylinder 21m MK24	
103.577	Sheet	
Total sheets		
10105111		



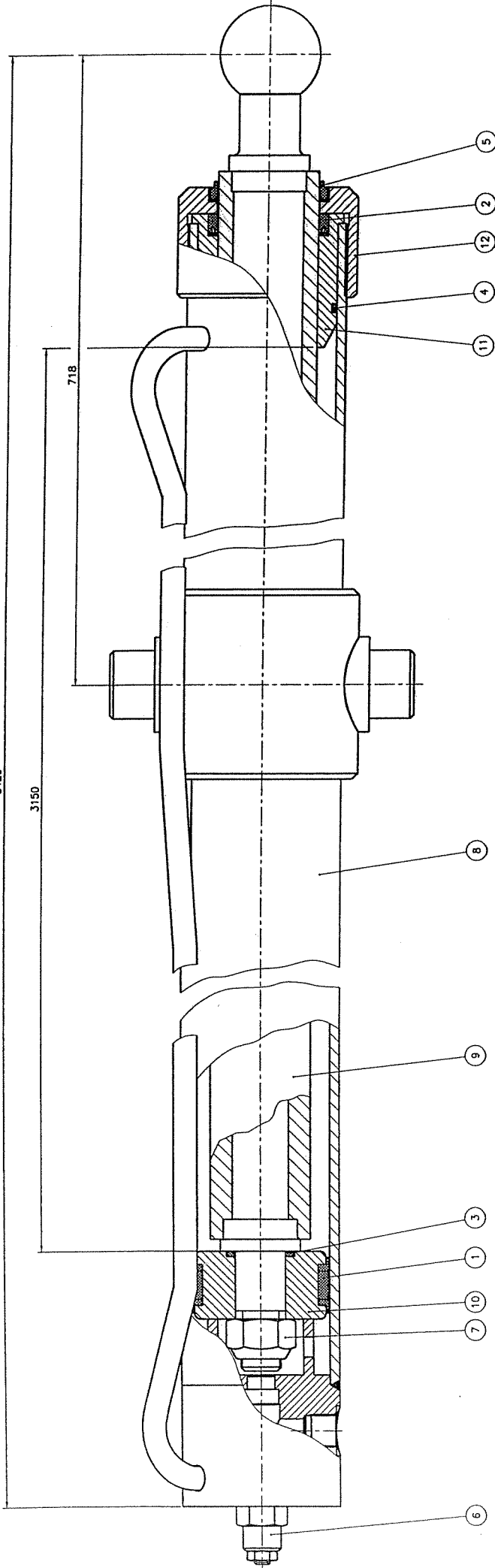
DAIS - 75760-3880-VK-HS
 Bomcylinder 21m MK24
 Drawing no. 10105111

May not be copied or used unless authorized by DENKA LIFT A/S

Målestok 1:5



3425



NOTE: Komplet pakingsset (pos. 1-5) varenr. 10021812
NOTE: Moles.

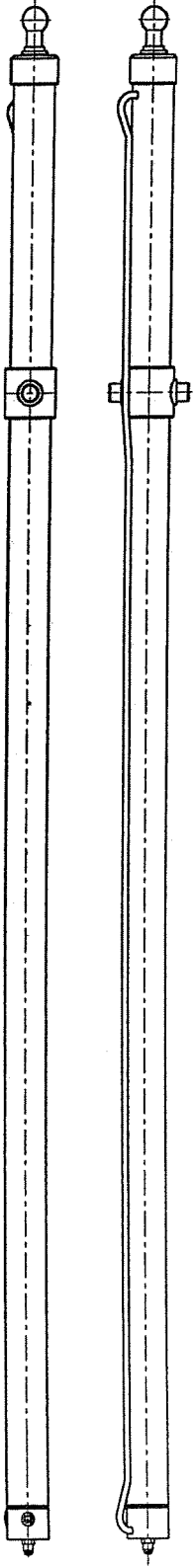
Item	Part No.	Quantity	Description	Material	Weight	Dimensions	Standard	Id no.
1	10023110	1	Pakningssæt til 3/8" og 1/2" rør					03295330
2	10023210	1	Pakningssæt til 3/8" og 1/2" rør					03295145
3	10023110	1	Pakningssæt til 3/8" og 1/2" rør					03295181
4	10022710	1	Pakningssæt til 3/8" og 1/2" rør					
5	10022010	1	Pakningssæt til 3/8" og 1/2" rør					
6	02176010	1	Låsningssæt til 3/8" og 1/2" rør					
7	03250023	1	O-ring til 3/8" og 1/2" rør					
8	03250564	1	O-ring til 3/8" og 1/2" rør					
9	03295382	1	O-ring til 3/8" og 1/2" rør					

Item	Part No.	Quantity	Description	Material	Weight	Dimensions	Standard	Id no.
10	10023210	1	Pakningssæt til 3/8" og 1/2" rør					03295181
11	10023110	1	Pakningssæt til 3/8" og 1/2" rør					
12	10023110	1	Pakningssæt til 3/8" og 1/2" rør					

Item	Part No.	Quantity	Description	Material	Weight	Dimensions	Standard	Id no.
1	10023110	1	Pakningssæt til 3/8" og 1/2" rør					03295330
2	10023210	1	Pakningssæt til 3/8" og 1/2" rør					03295145
3	10023110	1	Pakningssæt til 3/8" og 1/2" rør					03295181
4	10022710	1	Pakningssæt til 3/8" og 1/2" rør					
5	10022010	1	Pakningssæt til 3/8" og 1/2" rør					
6	02176010	1	Låsningssæt til 3/8" og 1/2" rør					
7	03250023	1	O-ring til 3/8" og 1/2" rør					
8	03250564	1	O-ring til 3/8" og 1/2" rør					
9	03295382	1	O-ring til 3/8" og 1/2" rør					

DA1S-70/50-3150-VK-HS
Bomrcylinder 18m MK6
1 00218 11

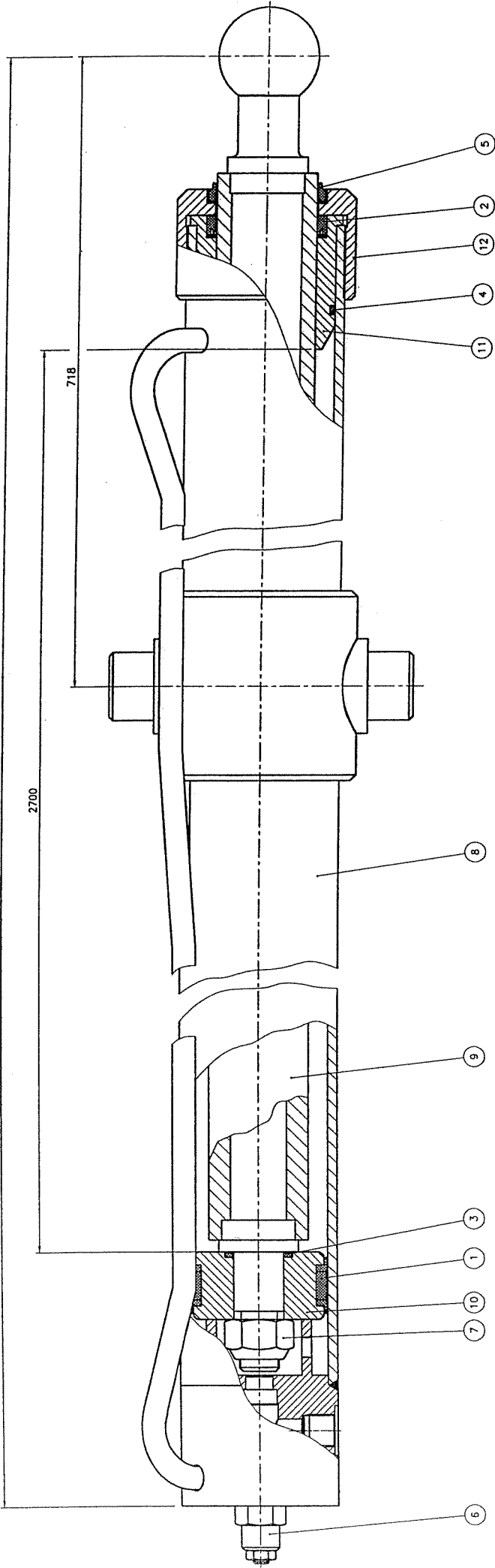
Målestok 1:5



2976

2700

718



NOTE: Komplet pakingsæt vorer. 10021812

NOTE: Møles

Rev. 01 Børstetube, Nedføring (femal, grundtype for 3/8" KØ indret)
 Rev. 02 Børstetube, Nedføring (femal, grundtype for 3/8" KØ indret)

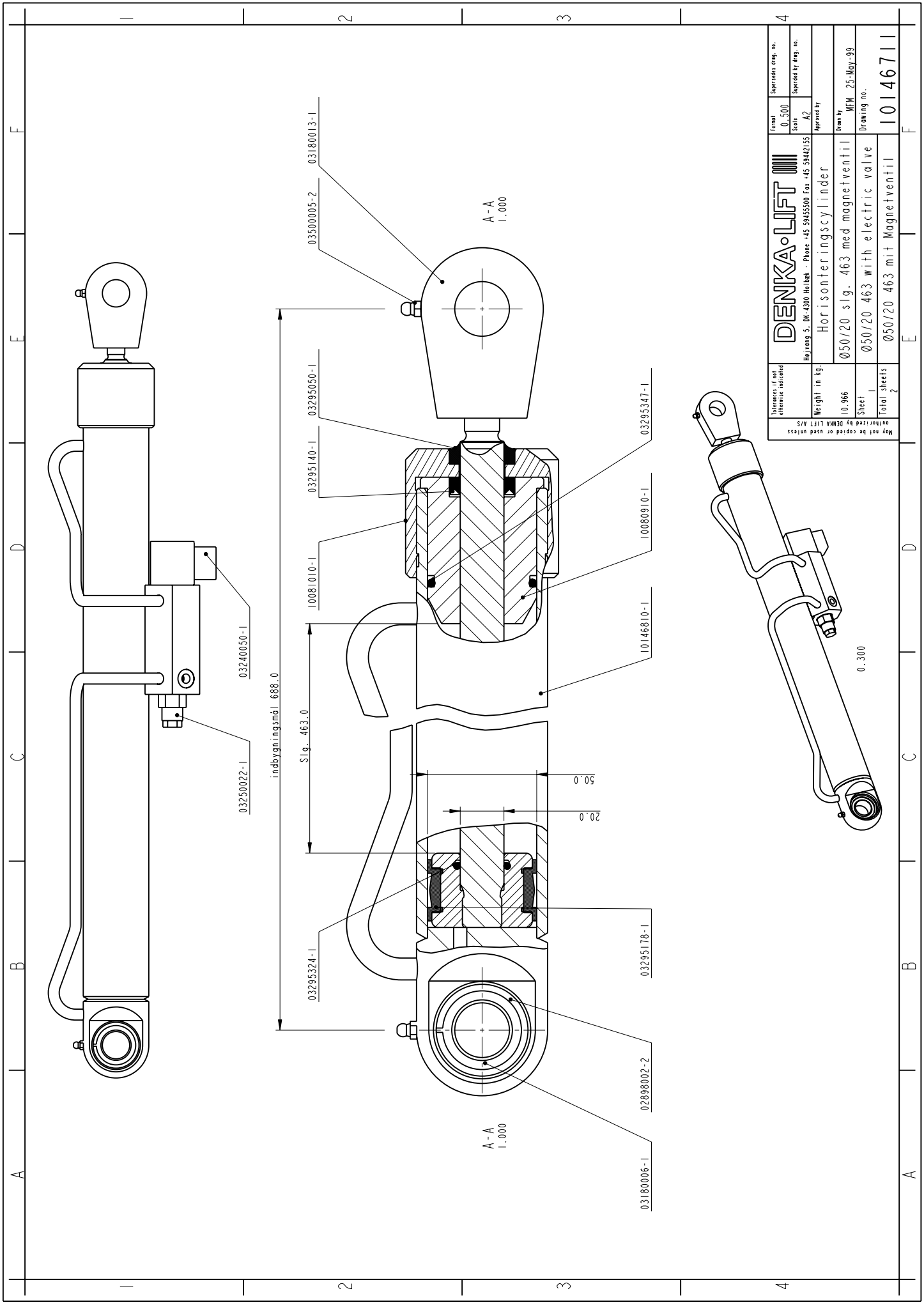
Item	No.	Dimension	Standard	Id no.	Weight
12	1	120895 - P/LH 020895 - L/7SP			020895330
11	1	10023310			020895145
10	1	10023210			020895181
9	1	10023110			
8	1	10023010			
7	1	03179010			
6	1	03260023			
5	1	03260054			
4	1	03260382			

Item	No.	Dimension	Standard	Id no.	Weight
3	1	0-40g 25.00-3.50			03260330
2	1	Pakn. Nl 300 50-60-10 H og S			032603145
1	1	Pakn. SUIKO 320 70-58-14-28			032603181

DENKA-LIFT		Approved by	
Rev.	Doc. No.	Rev.	Doc. No.
01	10023310	01	10023310
02	10023310	01	10023310
03	10023310	01	10023310
04	10023310	01	10023310
05	10023310	01	10023310
06	10023310	01	10023310
07	10023310	01	10023310
08	10023310	01	10023310
09	10023310	01	10023310
10	10023310	01	10023310
11	10023310	01	10023310
12	10023310	01	10023310

DA1S-70/50-2700-VK-HS		Approved by	
Rev.	Doc. No.	Rev.	Doc. No.
01	10023310	01	10023310
02	10023310	01	10023310
03	10023310	01	10023310
04	10023310	01	10023310
05	10023310	01	10023310
06	10023310	01	10023310
07	10023310	01	10023310
08	10023310	01	10023310
09	10023310	01	10023310
10	10023310	01	10023310
11	10023310	01	10023310
12	10023310	01	10023310

Børstetube 15m MK5		Approved by	
Rev.	Doc. No.	Rev.	Doc. No.
01	10023310	01	10023310
02	10023310	01	10023310
03	10023310	01	10023310
04	10023310	01	10023310
05	10023310	01	10023310
06	10023310	01	10023310
07	10023310	01	10023310
08	10023310	01	10023310
09	10023310	01	10023310
10	10023310	01	10023310
11	10023310	01	10023310
12	10023310	01	10023310

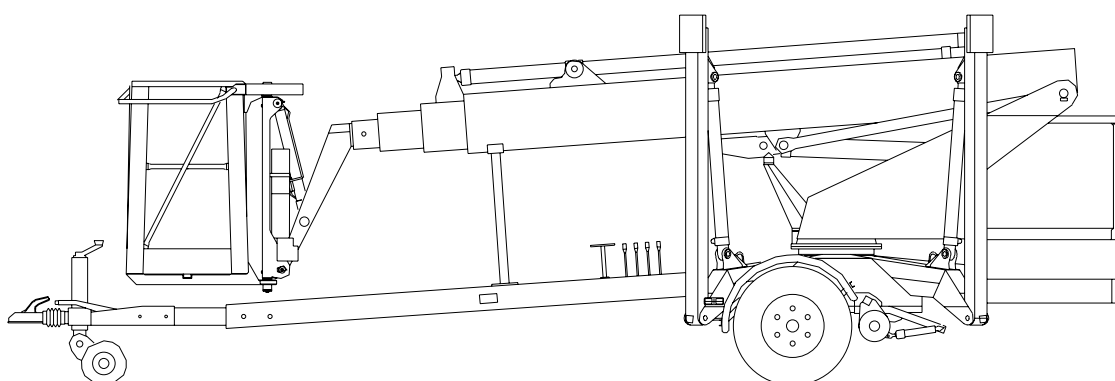


Tolerances if not otherwise indicated	Formel	Supersedes drawing no.
	0.500	
Weight in kg	Scale	Superseded by drawing no.
	10.966	A2
Total sheets	Approved by	
	2	
<p>DENKA-LIFT Højrang 5, DK-4200 Hørbæk - Phone +45 59455500 Fax +45 59442155</p>		
<p>Horisonteringscylinder Ø50/20 slg. 463 med magnetventil Ø50/20 463 with electric valve Ø50/20 463 mit Magnetventil</p>		
Drawn by MFM 25-May-99		Drawing no. 10146711
May not be copied or used unless authorized by DENKA LIFT A/S		

**RESERVEDELS-
KATALOG**

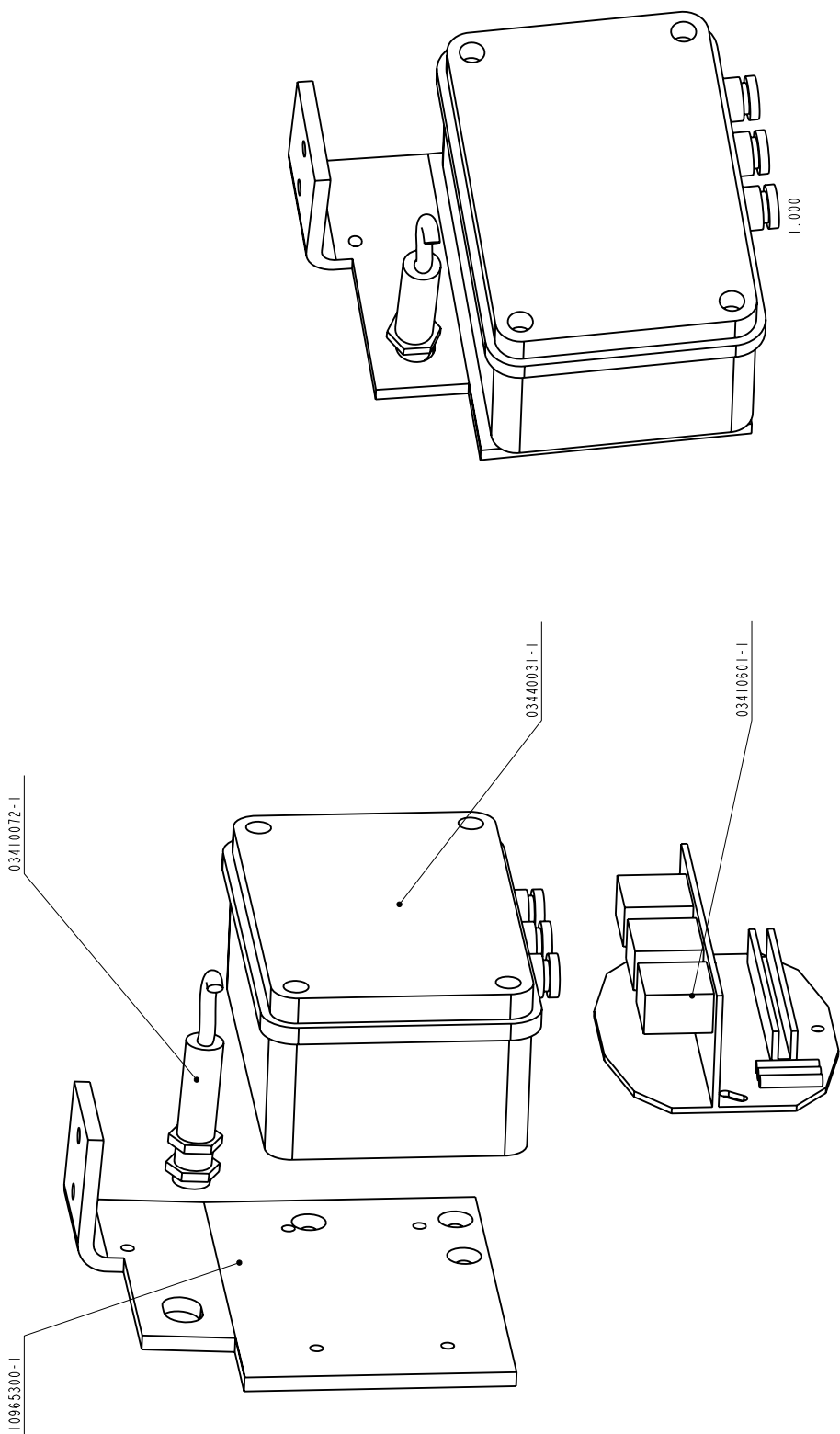
**SPARE PARTS
CATALOGUE**

**ERSATZTEILS-
KATALOG**



**KURV
BASKET
KORB**

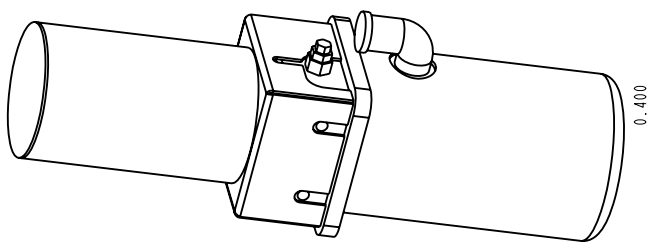
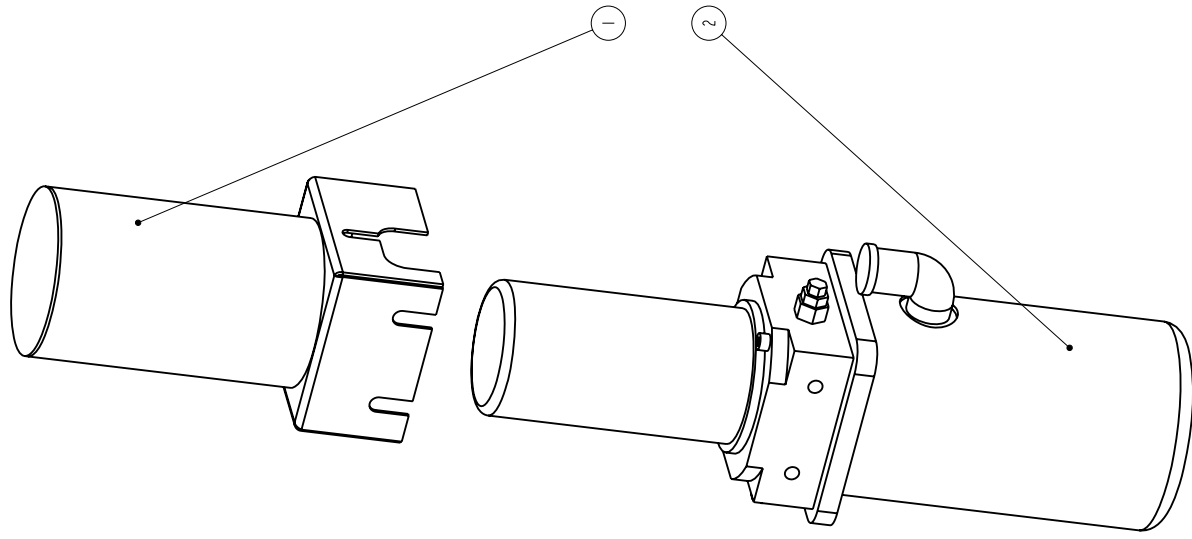
Version – 07.2004



Tolerances (if not otherwise indicated)	Formel	Supersedes drawing no.
	Scale	1:000
Weight in kg	Mojezup 5, DM-4200-Heilbronn - Phone: +45 59455500 Fax: +45 59442155	Supersedes by drawing no.
	Alle	A2
Total sheets	Approved by	
	LV-print monteret	PH_28-Dec-00
Sheet	LV-print monteret	
	LV-Print monteret	
Total sheets		14054001

DENKA-LIFT

May not be copied or used unless authorized by DENKA LIFT A/S



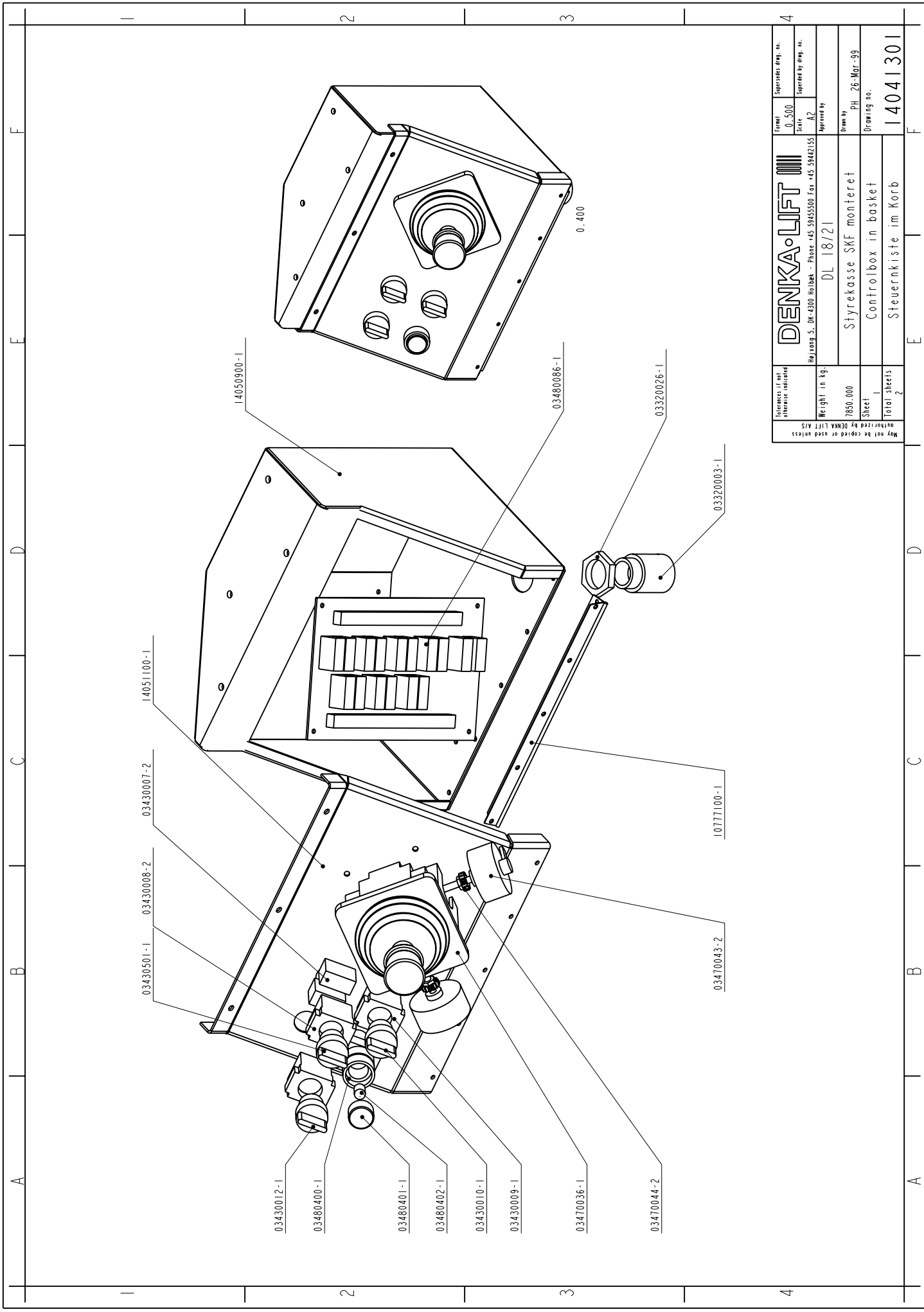
NOTE: Der anvendes 1.5 til 2 liter i anlægget

3	Hydr.oile SHF LT15		1	03140111	0.000
2	Horisonteringsanlæg 24V/40A		1	03280026	0.000
1	Altægning til hydr. anlæg 24 V.		1	40152110	0.415
Tolerances if not otherwise indicated		Formel		Supersedes drawing no.	
		0.200		Supersedes drawing no.	
		Scale		A2	
		Weight in kg.		Approved by	
7850.000		Hydraulik komponenter			
Sheet		Horisonteringsanlæg 24V monteret		Drawn by DB 03-Dec-99	
Total sheets				Drawing no.	
				10154511	

DENKA-LIFT
 Højrang 5, DK-4300 Hvidebæk - Phone: +45 59455500 Fax: +45 59442155
 Hydraulik komponenter

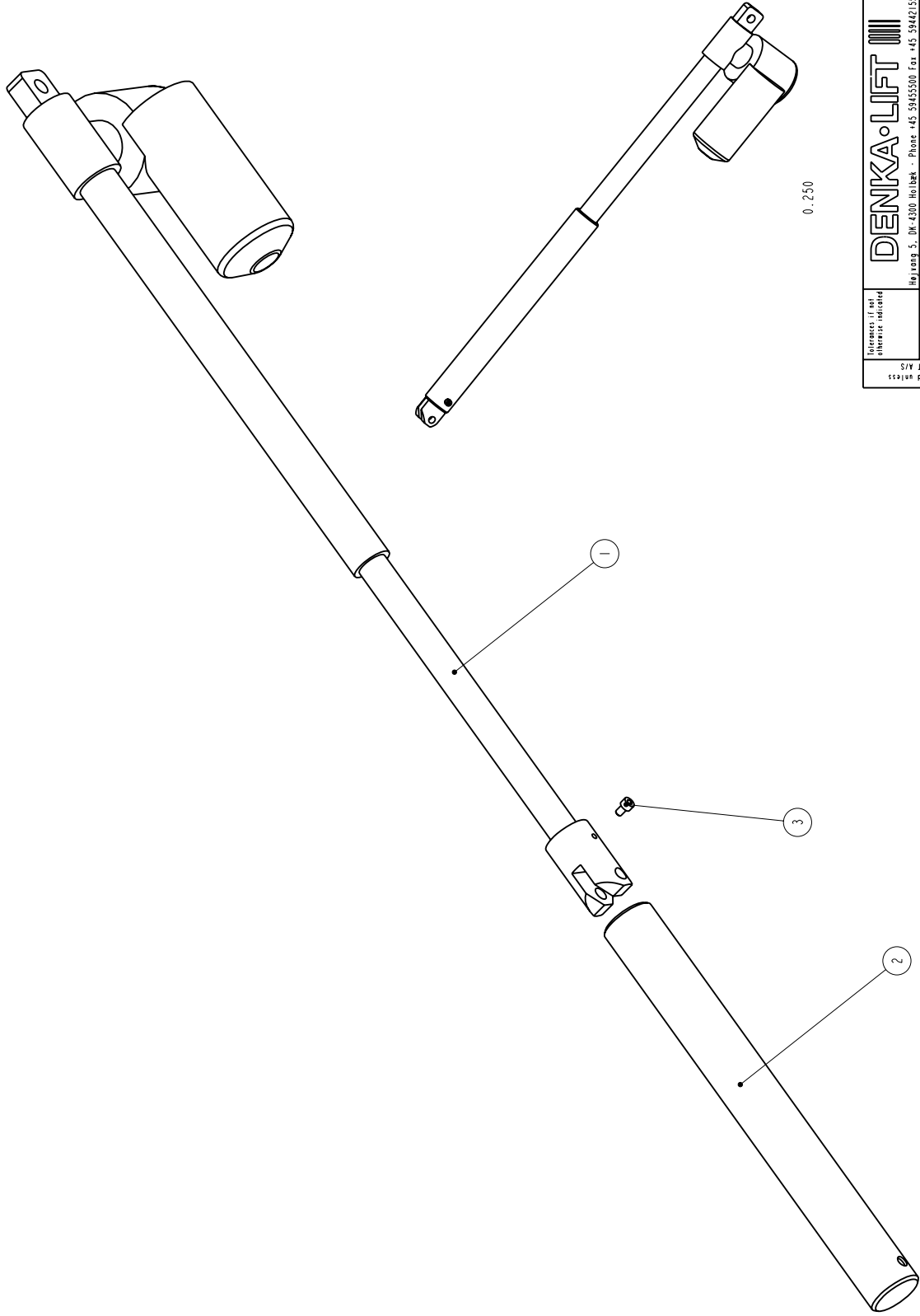
Horisonteringsanlæg 24V monteret

10154511



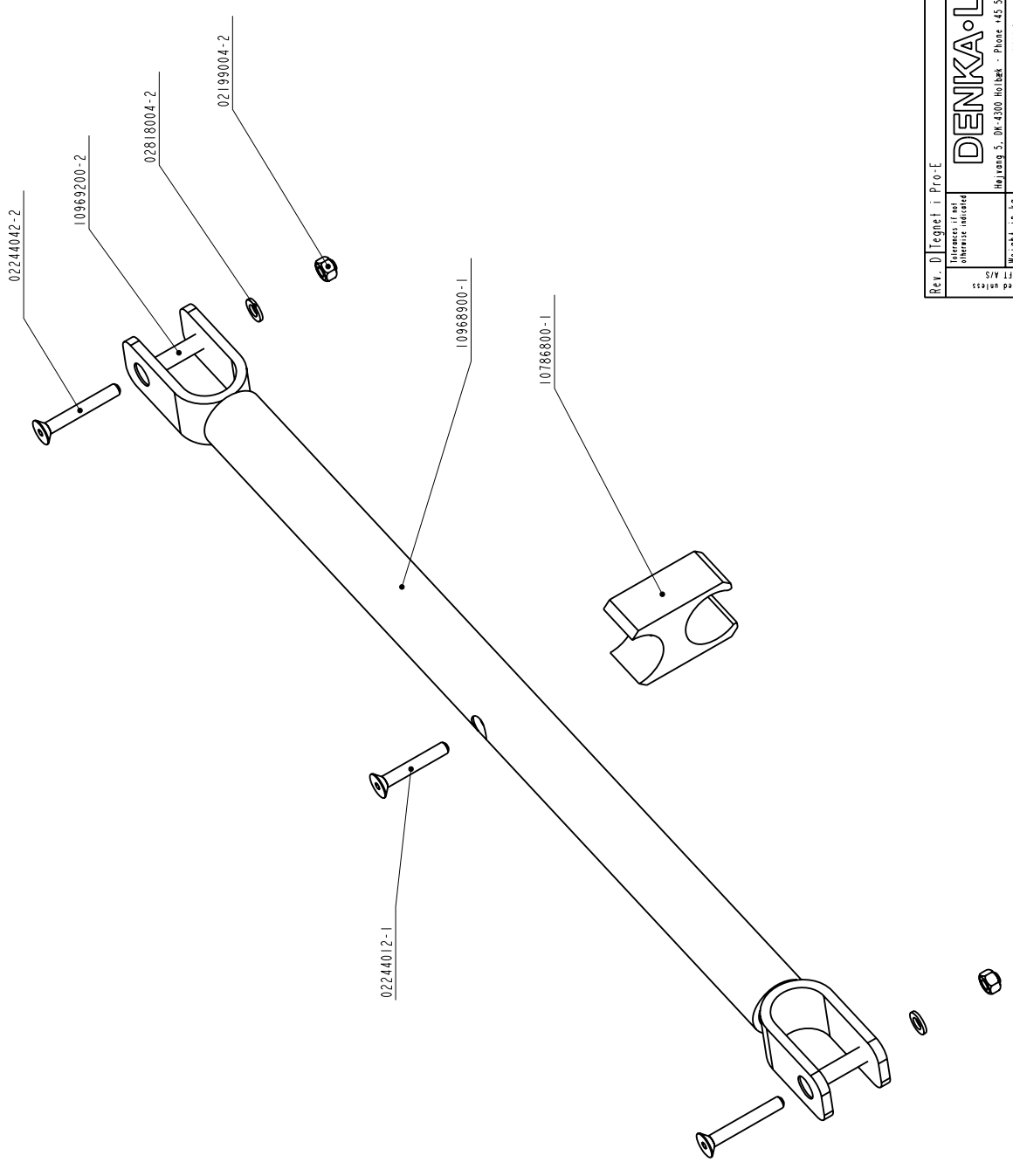
Tolerances (if not otherwise indicated)	Format	Supersedes drawing no.
	Scale	Supersedes by drawing no.
Weight in kg:	DL 18/21	Approved by
	DL 18/21	Drawn by
Weight in kg:	Styrekasse SKF monteret	PH 26-Mar-99
7850.000	Controlbox in basket	Drawing no.
Sheet 1	Steuernkiste im Korb	14041301
Total sheets 2		

DENKA-LIFT
 Majsmølle 5, DK-4300 Hvidebæk - Phone: +45 59455500 Fax: +45 59442155
 May not be copied or used unless authorized by DENKA LIFT A/S



0.250

Differences if not otherwise indicated	Formel	Supersedes drawing no.
	0-500	
Weight in kg.	Scale	Supersedes by drawing no.
	7850.000	A2
May not be copied or used unless authorized by DENKA LIFT A/S	Approved by	
	komp.	
	Drawn by PH 21-Dec-00	
DENKA-LIFT III		Drawing no.
Mojevac 5, DK-4300 Hvidebæk - Phone: +45 59455500 Fax: +45 59442155		10182801
Actuator kpl. LA30.1-300-24V		
Sheet		
Total sheets		



Rev. 0	Legnet i Pro-E	25-Jan-01	SH
Tolerances if not otherwise indicated		Format	Supersedes drawing no.
		0.700	
		Scale	Superseded by drawing no.
		A2	
		Approved by	
		Majrang 5, DK-4300 Hørbæk - Phone: +45 59455500 Fax: +45 59442155	
		MK6	
Weight in kg.		Drawn by	SH 25-Jan-01
0.594		Løge komplet, bred stige	Drawing no.
Sheet		Gate complete	
Total sheets		Gatter komplett	10968801

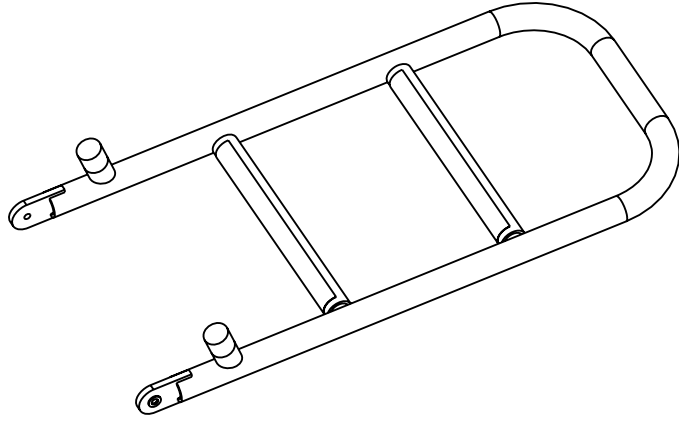
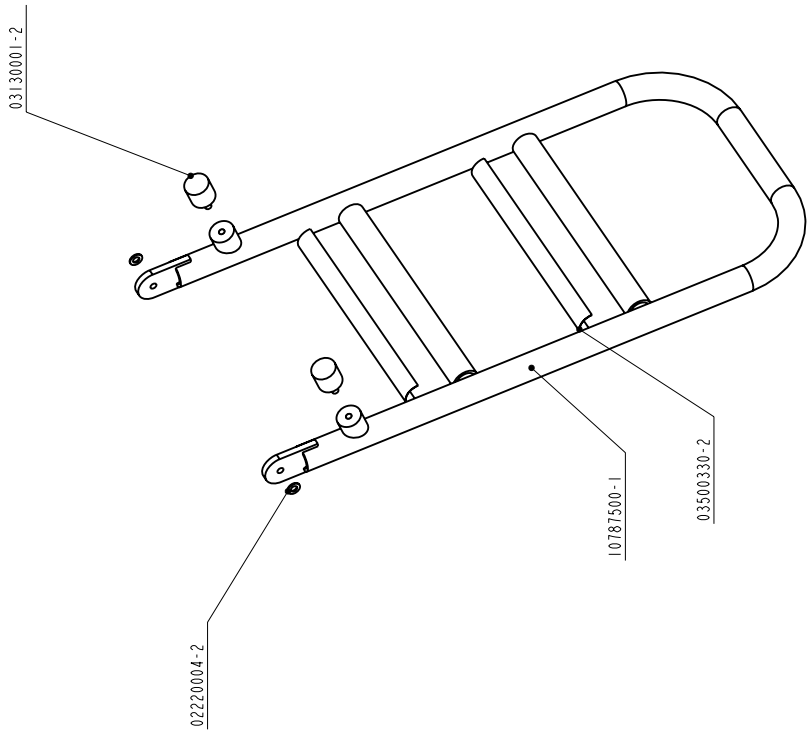
DENKA-LIFT

Majrang 5, DK-4300 Hørbæk - Phone: +45 59455500 Fax: +45 59442155

Løge komplet, bred stige

Gate complete

Gatter komplett



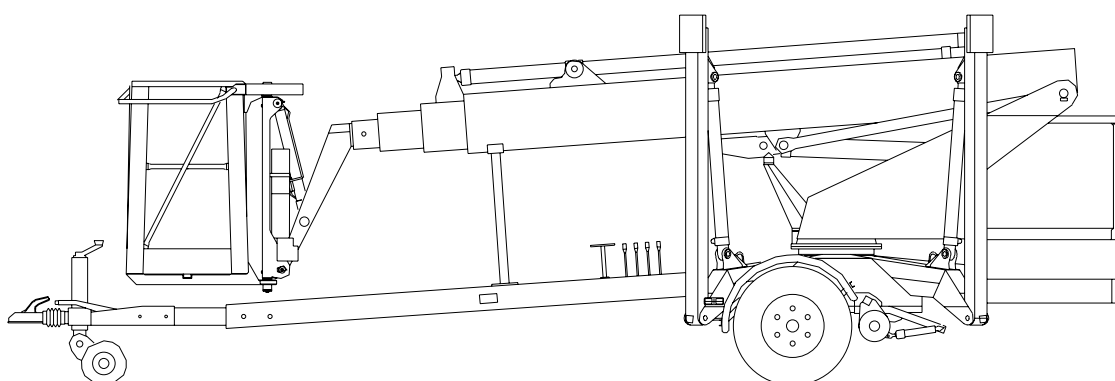
Dimensions (if not otherwise indicated)	DS 2168-1 m	Weight in kg	7850,000	Sheet	1	Total sheets	1
<p>May not be copied or used unless authorized by DENKA LIFT A/S</p>							
<p>Address (if not otherwise indicated)</p> <p>DS 2168-1 m</p>		<p>Address: Højvang 5, DK-4300 Hvidebæk - Phone: +45 59455500 Fax: +45 59442155</p>					
<p>Formel</p> <p>0.250</p>		<p>Scale</p> <p>A2</p>		<p>Approved by</p> <p>Kurv</p>			
<p>Supersedes drawing no.</p>		<p>Supersedes by drawing no.</p>					
<p>Drawn by</p> <p>MEH</p>		<p>Date</p> <p>03-Jan-01</p>					
<p>Drawing no.</p> <p>10772601</p>		<p>Letter mounted</p>					
<p>Stige</p>		<p>Stige kpl. f. kurv</p>					
<p>Strid</p>		<p>Letter mounted</p>					
<p>Runde</p>		<p>Letter monteret</p>					
<p>Myion</p>		<p>Letter monteret</p>					

4	Stige
3	Strid
2	Runde
1	Myion

**RESERVEDELS-
KATALOG**

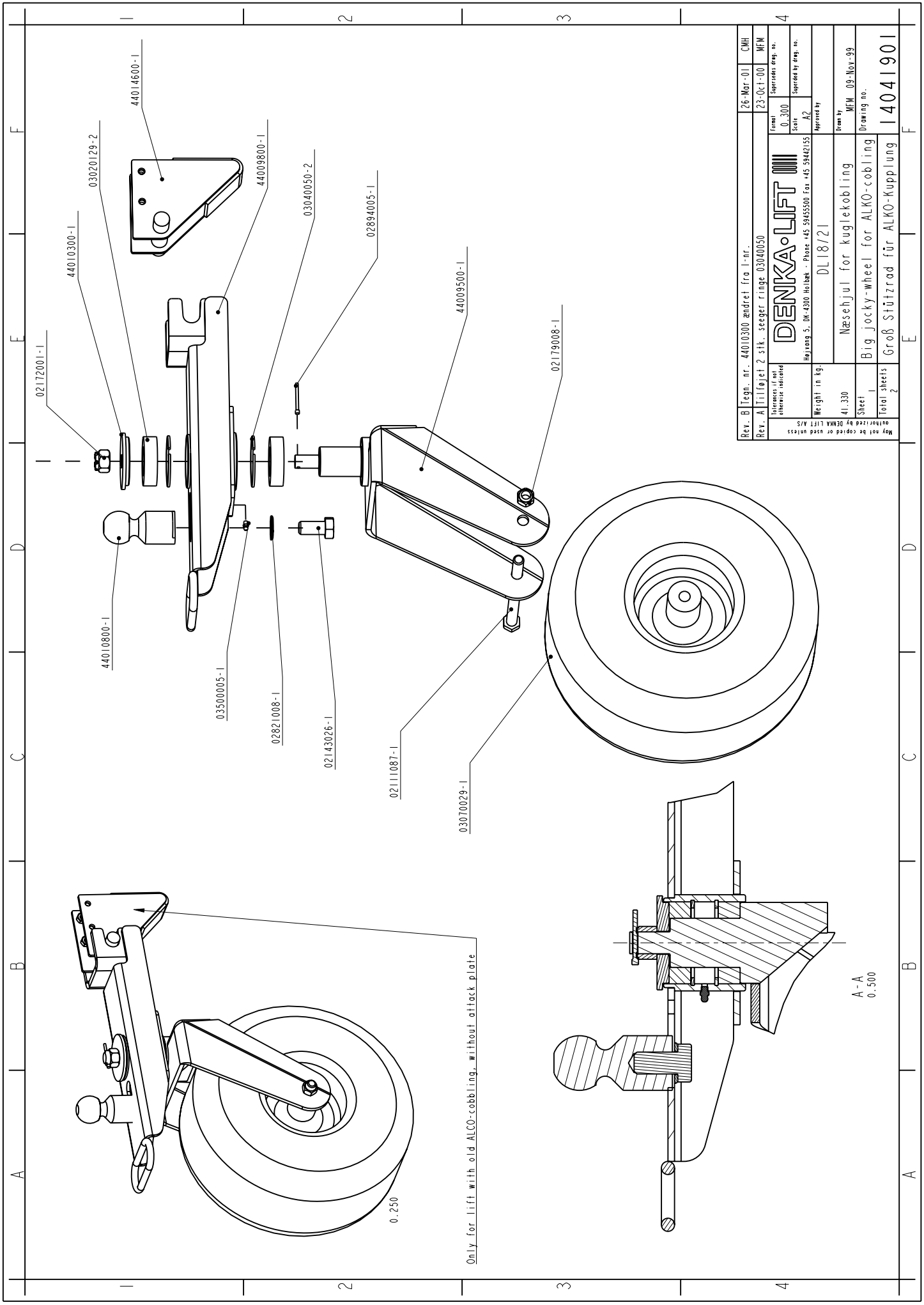
**SPARE PARTS
CATALOGUE**

**ERSATZTEILS-
KATALOG**



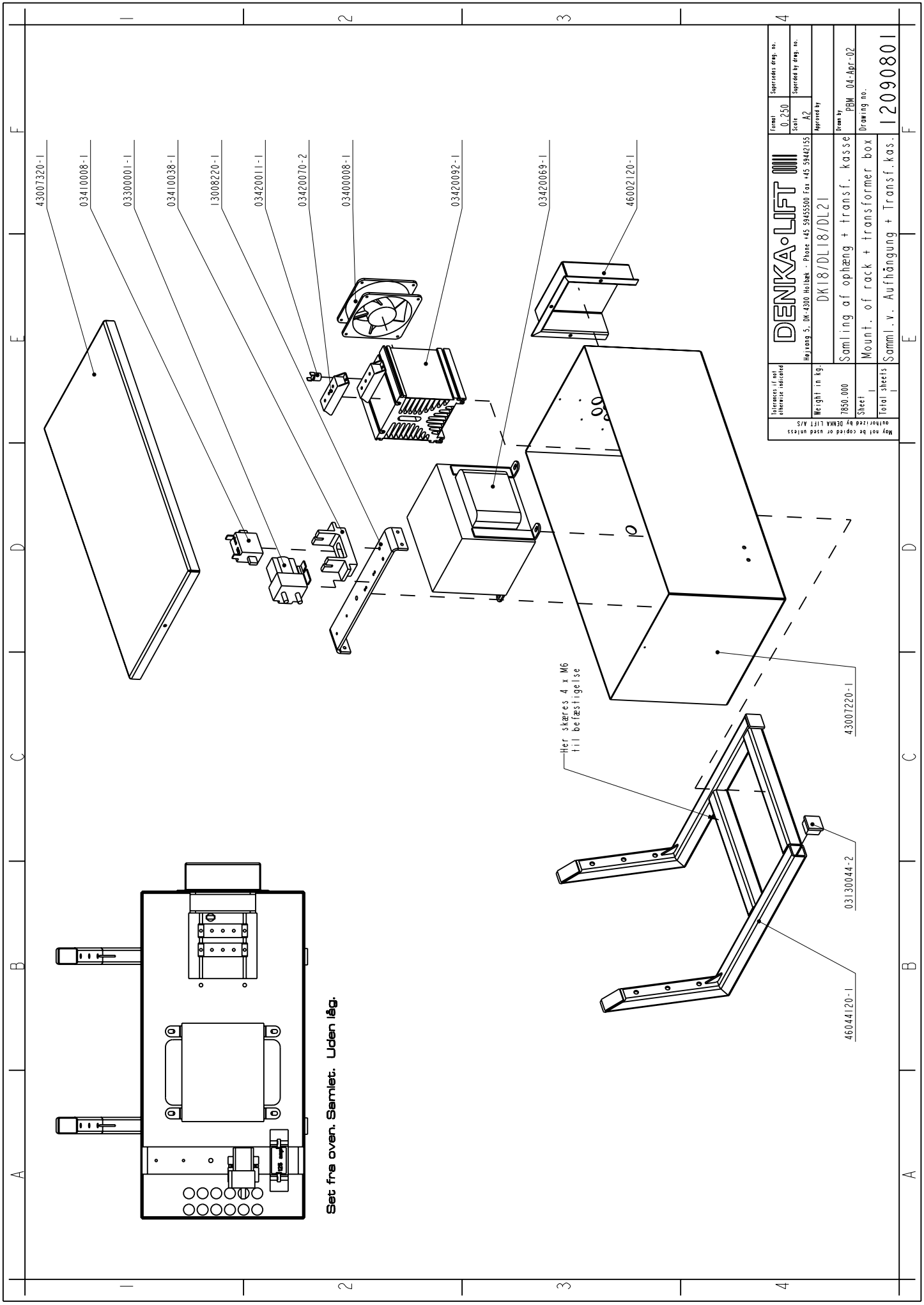
EXTRA

Version – 07.2004



Rev. B	Legn. nr. 44010300 ændret fra l.nr.	26-Mar-01	CMH
Rev. A	Liftet 2 stk. seeger ringe 03040050	23-Oct-00	MEH
Interests if not otherwise indicated	Scale 0:300	Supersedes drawing no.	
Weight in kg	DL1871	Superseded by drawing no.	
41.330	Møsehjul for Kuglekobling	Drawn by	MEH 09-Nov-99
Sheet 1	Big jockey-wheel for ALKO-cobling	Drawing no.	
Total sheets 2	Groß Stützrad für ALKO-Kupplung		14041901
May not be copied or used unless authorized by DENKA LIFT A/S			

A-A
0.500



43007320-1

03410008-1

03300001-1

03410038-1

13008220-1

03420011-1

03420070-2

03400008-1

03420092-1

03420069-1

46002120-1

Her skrues 4 x M6
til fastgørelse

43007220-1

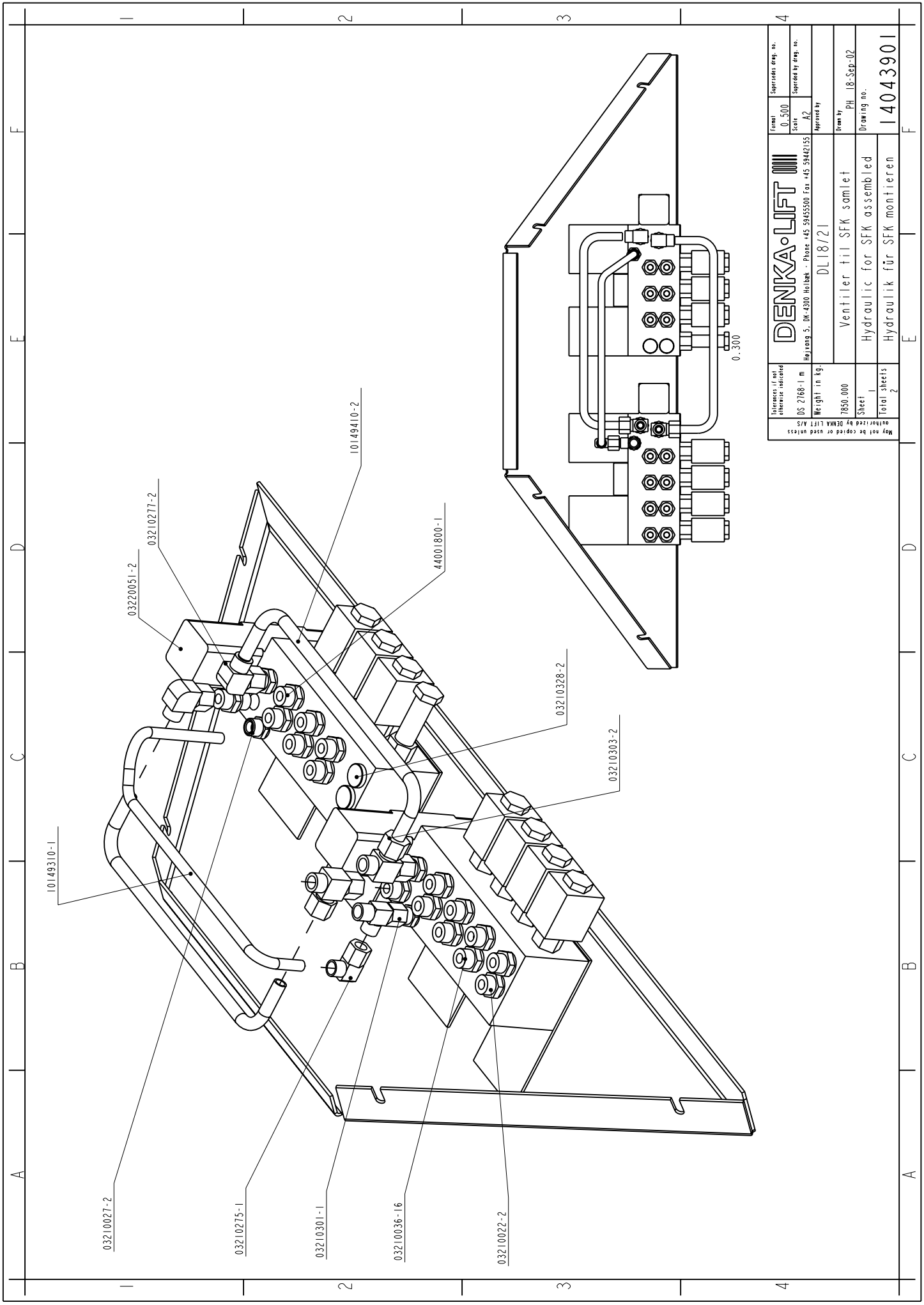
03130044-2

46044120-1

Set fra oven. Samlet. Uden låg.

Tolerances (if not otherwise indicated)	Formel	Supersedes drawing no.
	0.250 Scale	A2
Weight in kg 1850.000 Sheet	Approved by	
	DK18/DL18/DL21	
Total sheets 1	Drawn by	
	PBM 04-Apr-02	
DENKA-LIFT Højvang 5, DK-4200 Hvidebæk - Phone +45 59455500 Fax +45 59442155		
Samling af ophæng + transf. kasse		
Mount. of rack + transformer box		
Samml. v. Aufhängung + Transf. kass.		
Drawing no.		12090801

May not be copied or used unless authorized by DENKA LIFT A/S



Dimensions if not otherwise indicated	Denka-LIFT	Formel	Supersedes drawing no.
DS 2168-1 m		0.500	0.500
Weight in kg:		Scale	Supersedes by drawing no.
7850.000		A2	A2
Sheet	DL18721	Approved by	
Total sheets	Ventiler til SFK samlet	Drawn by	PH 18-Sep-02
2	Hydraulic for SFK assembled	Drawing no.	
	Hydraulik für SFK montieren		14043901

May not be copied or used unless authorized by DENKA LIFT A/S

10149310-1

03220051-2

03210277-2

10149410-2

44001800-1

03210328-2

03210303-2

03210027-2

10149310-1

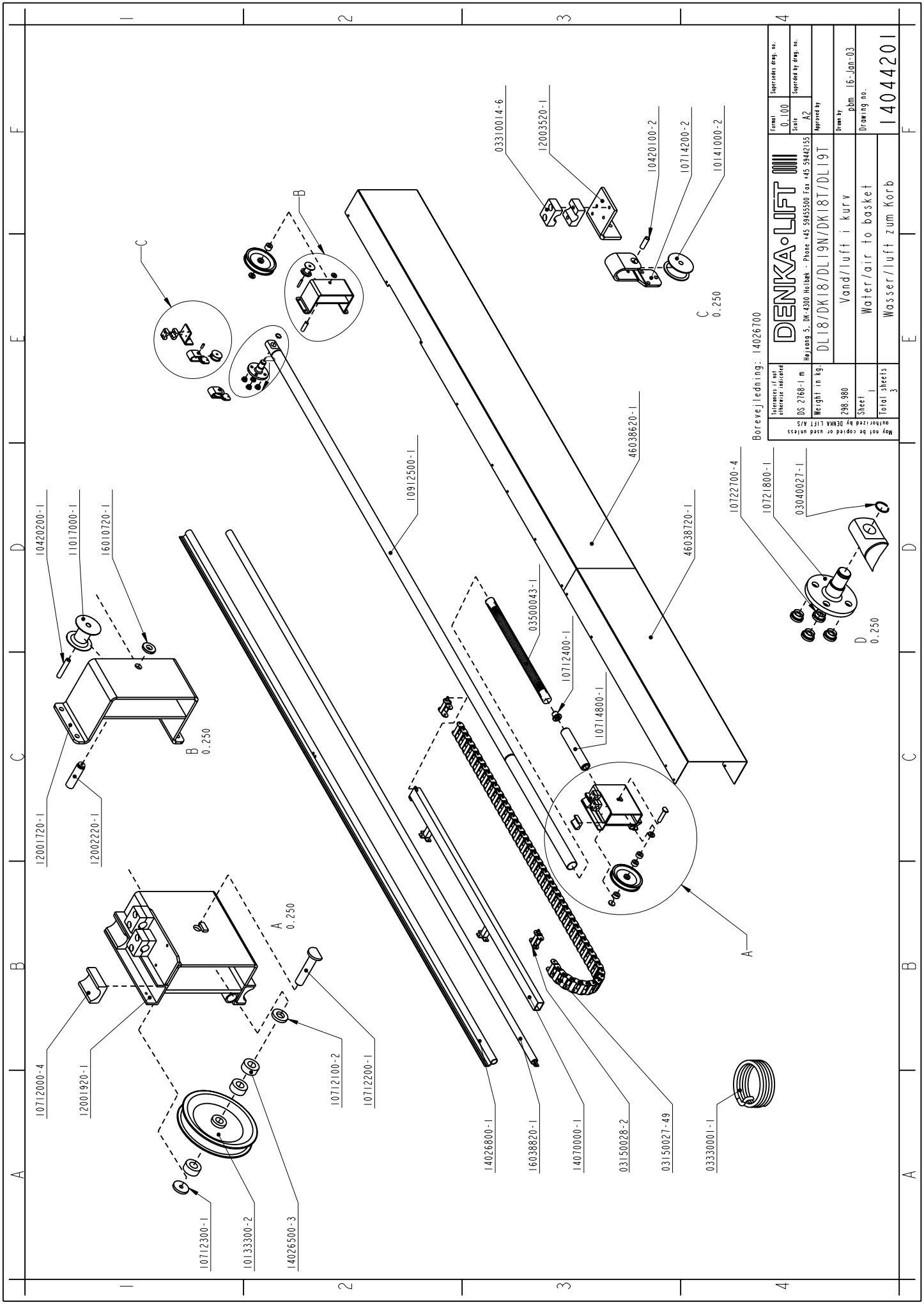
03210275-1

03210301-1

03210036-16

03210022-2

0.300



10420200-1
11017000-1
16010720-1

12001720-1
12002220-1

10712000-4
12001920-1

10712300-1
10133300-2
14026500-3

B
0.250

A
0.250

10712100-2
10712200-1

10912500-1

14026800-1

16038820-1

14070000-1

03150028-2

03150027-49

03330001-1

03500043-1

10712400-1

10714800-1

46038620-1

46038720-1

10722700-4

10721800-1

03040027-1

D
0.250

03310014-6

12003520-1

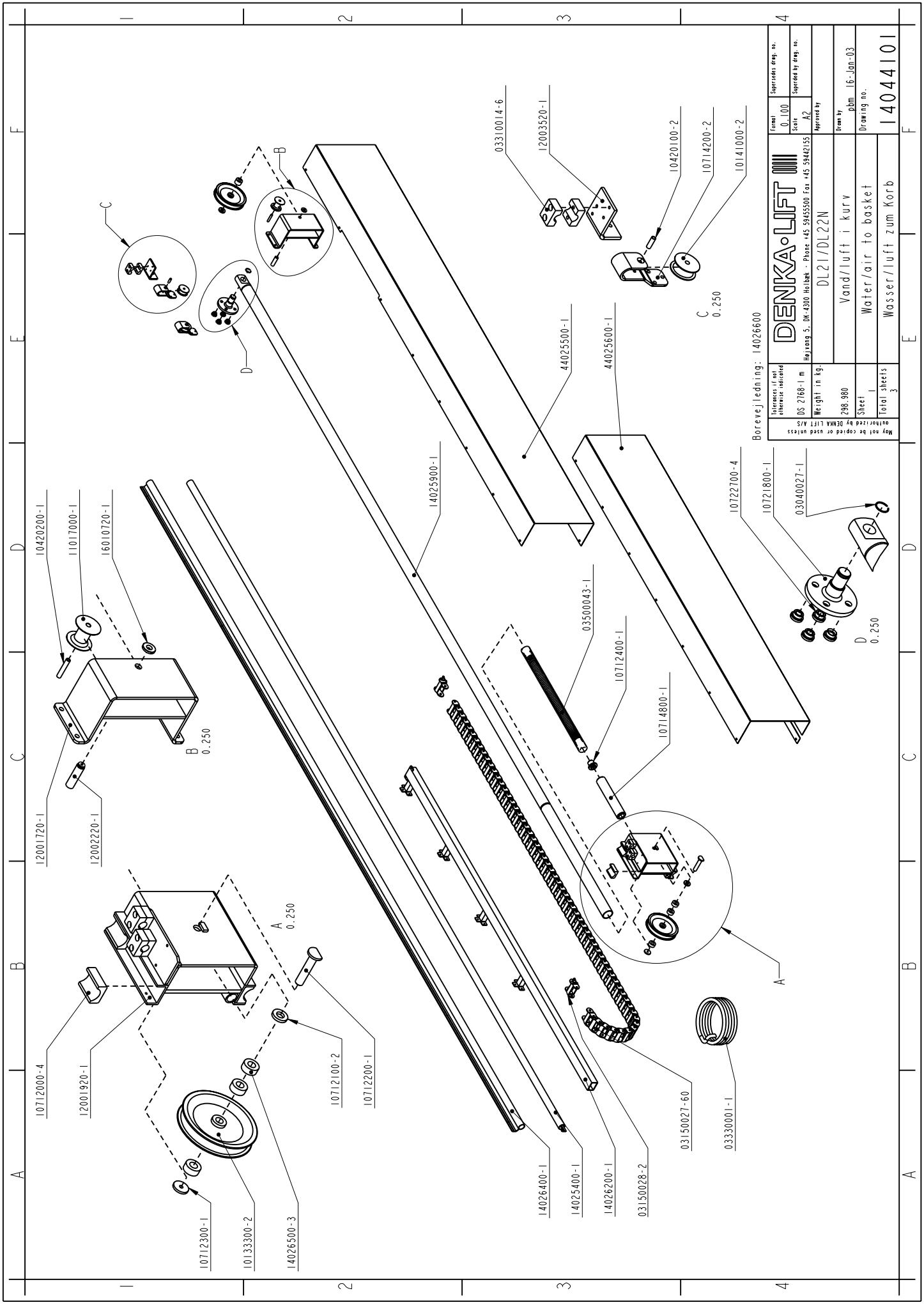
10420100-2

10714200-2

C
0.250

Borevejledning: 14026700

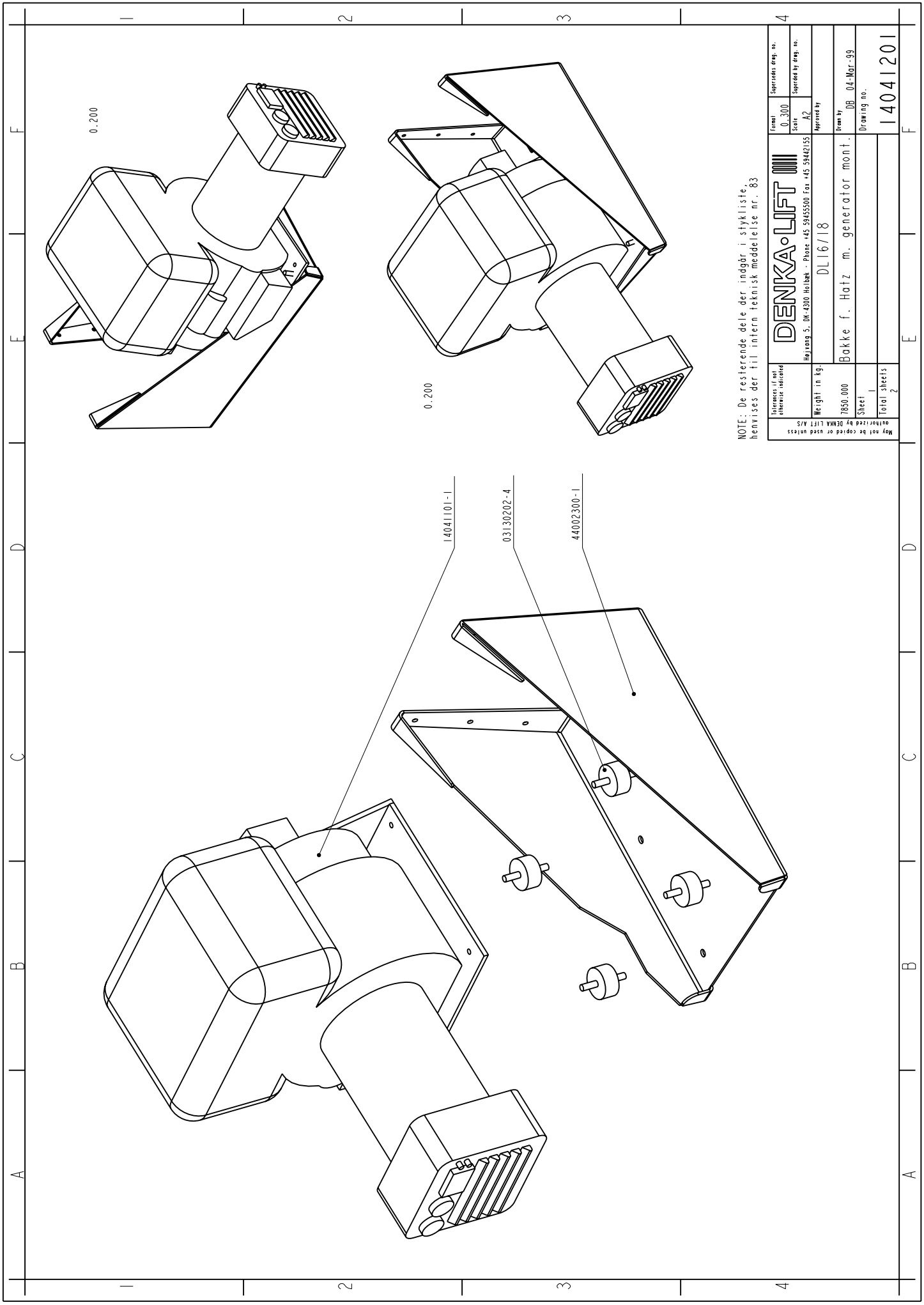
DENKA-LIFT <small>Denka-Lift AS, DK-4200 Høbbæk - Phone: +45 59455500 Fax: +45 59442155</small>		<small>Formel</small> 0.100	<small>Supersedes drawing no.</small> 14044201
<small>Weight in kg:</small> 298.980		<small>Scale</small> A2	<small>Supersedes by drawing no.</small> 16-Jan-03
<small>Sheet</small> 1		<small>Approved by</small> pbm	<small>Drawing no.</small> 14044201
<small>Total sheets</small> 3		<small>Drawn by</small> pbm	
<small>authorized by DENKA LIFT A/S</small>		<small>Water/luft i kurv</small> Vand/luft i kurv	
<small>May not be copied or used unless</small>		<small>Water/luft i basket</small> Vand/luft i basket	
<small>authorized by DENKA LIFT A/S</small>		<small>Water/luft zum Korb</small> Wasser/luft zum Korb	



Borevej ledning: 14026600

DENKA-LIFT		Formel	Supersedes drawing no.
		0.100	0.100
		Scale	Scale
		A2	A2
		Approved by	Approved by
		DL21/DL22N	DL21/DL22N
		Drawn by	Drawn by
		pbm	pbm
		16-Jan-03	16-Jan-03
		Drawing no.	Drawing no.
		Water/luft i kurv	Water/luft i kurv
		Wasser/luft i basket	Wasser/luft i basket
		Weight in kg	Weight in kg
		DS 2168-1 m	DS 2168-1 m
		298.980	298.980
		Sheet	Sheet
		1	1
		Total sheets	Total sheets
		3	3
		Address (if not otherwise indicated)	Address (if not otherwise indicated)
		Denka-Lift A/S	Denka-Lift A/S
		Wojcieszka 5, DK-4200 Haslev - Phone: +45 59455500 Fax: +45 59442155	Wojcieszka 5, DK-4200 Haslev - Phone: +45 59455500 Fax: +45 59442155
		May not be copied or used unless authorized by DENKA LIFT A/S	May not be copied or used unless authorized by DENKA LIFT A/S

14044101

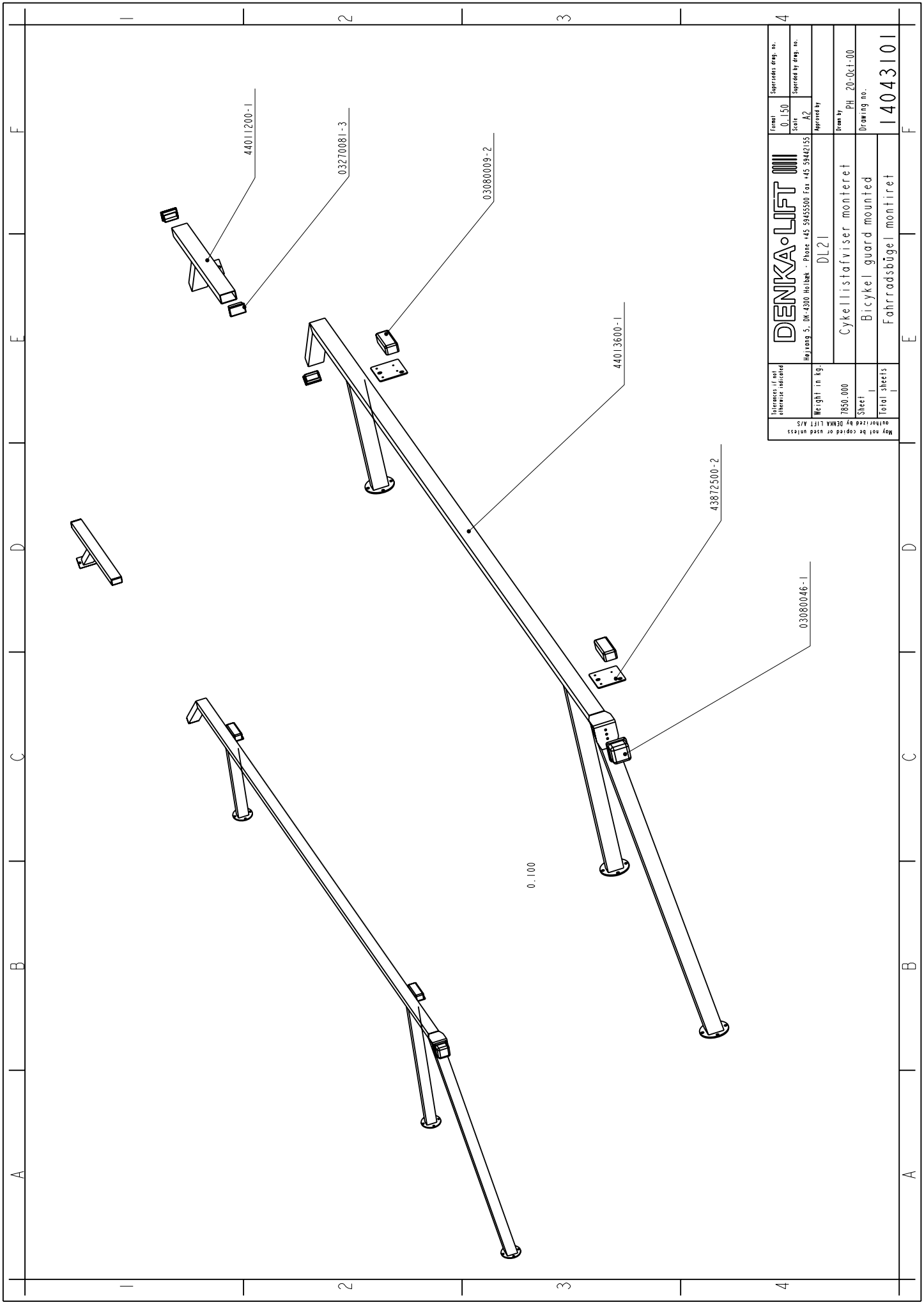


0.200

0.200

NOTE: De resterende dele der indgår i stykliste, henvises der til intern teknisk meddelelse nr. 83

Tolances if not otherwise indicated <small>May not be copied or used unless authorized by DENKA LIFT A/S</small>		DENKA-LIFT Højvang 5, DK-4300 Hvidebø - Phone: +45 59455500 Fax: +45 59442155		Formel 0.300	Supersedes drawing no. 0.300
Weight in kg. 7850.000		Approved by DLI6/18		Scale A2	Superseded by drawing no. 04
Sheet 1		Drawn by JBG_04-Mar-99		Drawing no. 14041201	
Total sheets 2					



Dimensions (if not otherwise indicated)	Formel	Supersedes drawing no.
Weight in kg	0.150	0.150
7850.000	Scale	Supersedes by drawing no.
Sheet	A2	
Total sheets	DLZ1	Approved by
	DLZ1	
	Cyclellistafviser monteret	
	Bicycle guard mounted	
	Fahrradsbügel montiert	
	PH_20-01-00	
	Drawing no.	
	14043101	
	4	

DENKA-LIFT

Højvang 5, DK-4300 Høbbæk - Phone: +45 59455500 Fax: +45 59442155

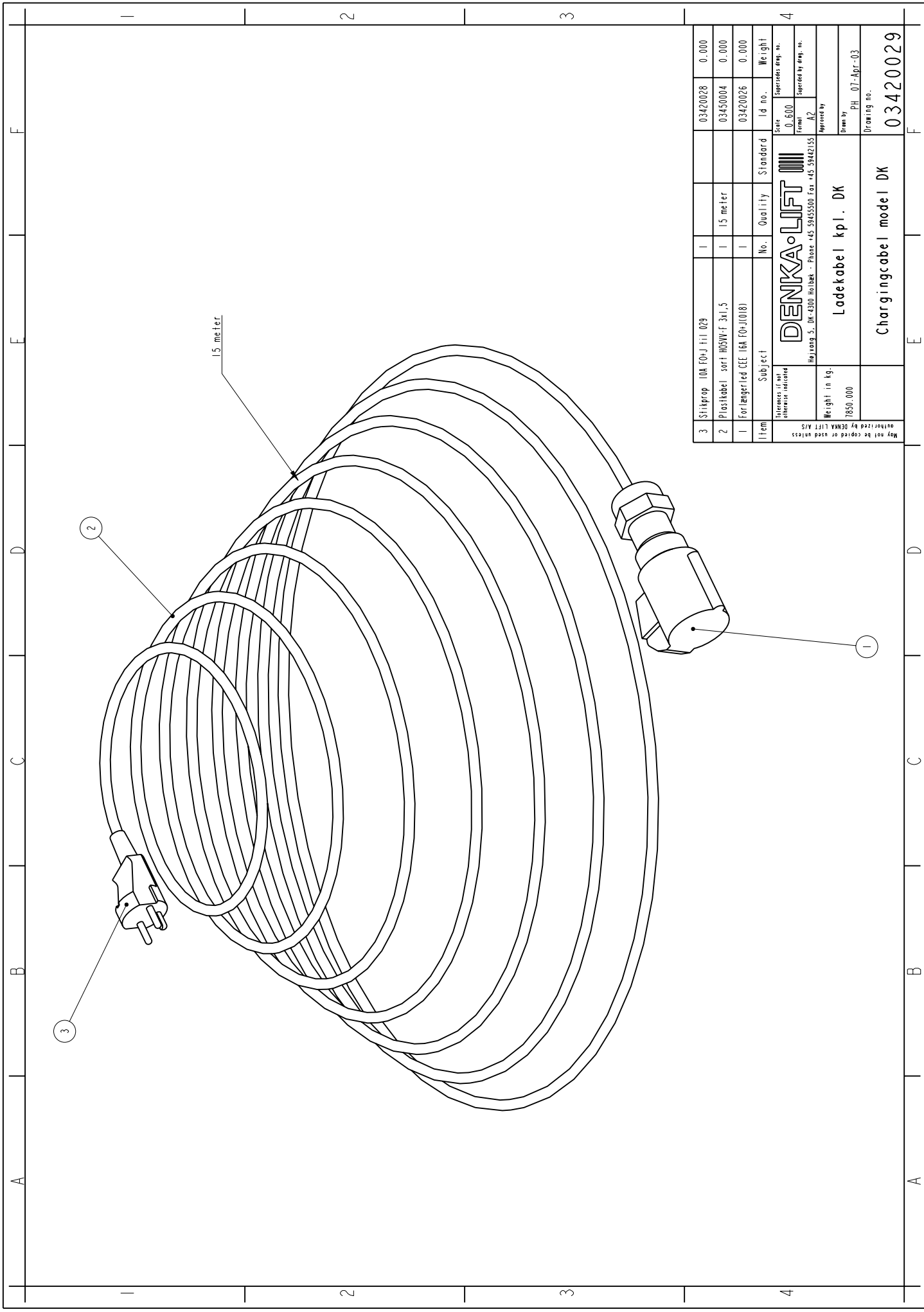
Authorized by DENKA LIFT A/S

May not be copied or used unless

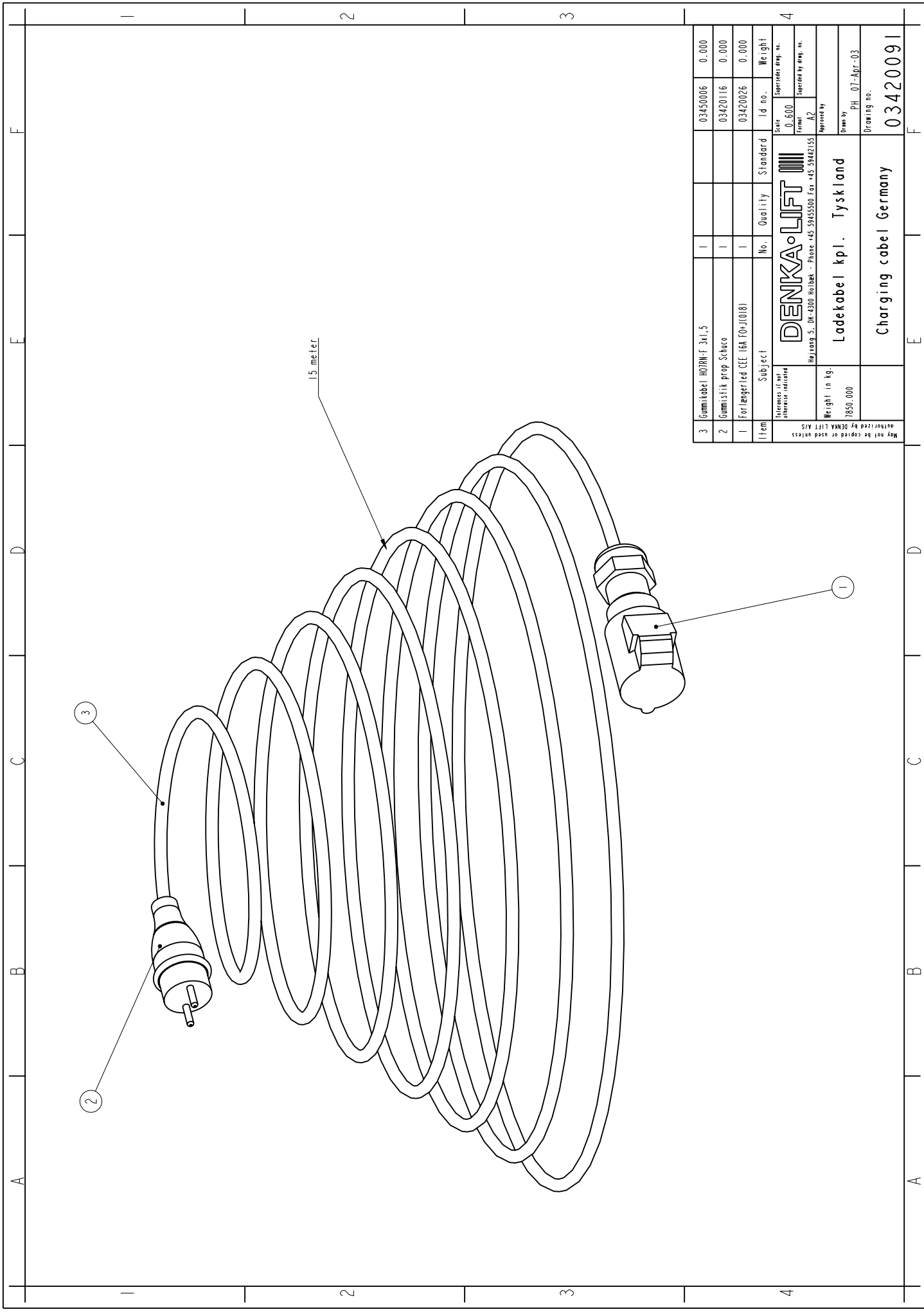
authorized by DENKA LIFT A/S

PH_20-01-00

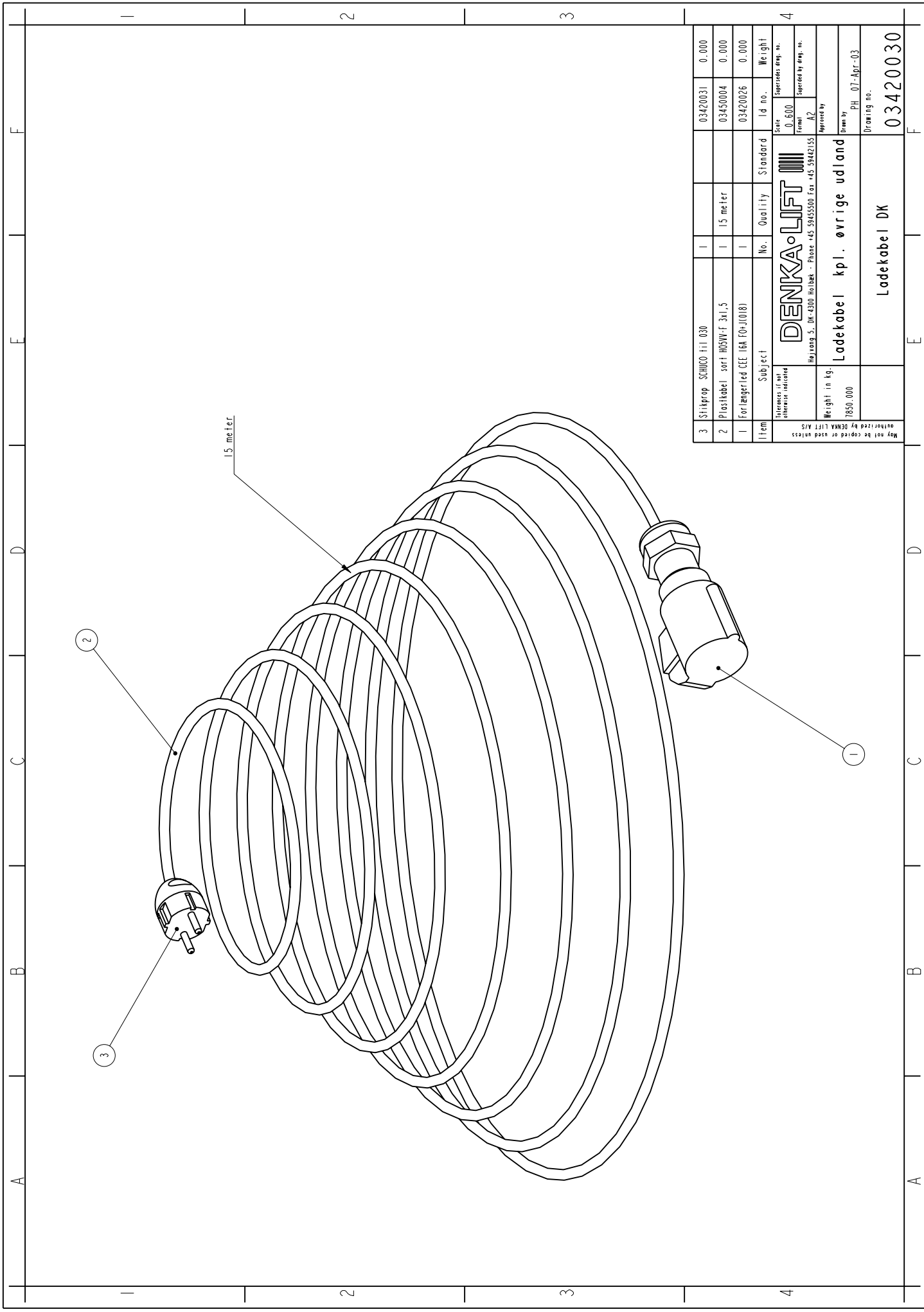
14043101



3	Stikprop 10A FO-J III 029	1		03420028	0.000
2	Plastikabel seri H05VV-F 3x1,5	1	15 meter	03450004	0.000
1	Forlængerled CEE 16A FO-J(018)	1		03420026	0.000
Item	Subject	No.	Quality	Standard	Id no.
<small>Interness if not otherwise indicated</small> <small>May not be copied or used unless authorized by DENKA LIFT A/S</small>		DENKA LIFT <small>Møllegaard 5, DK-4300 Hvidebø - Phone: +45 59455500 Fax: +45 59442155</small>		<small>Scale</small> 0.600 <small>Supersedes drawing no.</small>	<small>Id no.</small> 03420028 <small>Supersedes drawing no.</small>
<small>Weight in kg.</small> 7850.000		Ladekabel kpl. DK		<small>Drawn by</small> PHL 07-Apr-03	<small>Weight</small> 0.000 <small>Supersedes drawing no.</small>
		Chargingcabel model DK		<small>Drawing no.</small> 03420029	



3	Gummikabel HO7RN-F 3x1,5	1		03450006	0.000
2	Gummistik prop. Schuko	1		03420116	0.000
1	Fortlanger led CEE 16A T0-J(018)	1		03420026	0.000
Item	Subject	No.	Quality	Standard	Id no.
Dimensions if not otherwise indicated Weight in kg. 7850,000		DENKA LIFT Holtrup 5, DK-4300 Hørbæk - Phone: +45 59455500 Fax: +45 59442155 Ladekabel kpl. Tyskland Charging cable Germany			
May not be copied or used unless authorized by DENKA LIFT A/S		Approved by: State: 0.600 Serial: 212 Supersedes drawing no.: Supersedes by drawing no.: Drawn by: PHL 07-Apr-03 Drawing no.: 03420091			



3	Stikprop	SCHUCO til D30	1		03420031	0.000
2	Plastkabel	sort H05VV-F 3x1,5	1	15 meter	03450004	0.000
1	Forlængerled	CEE 16A TO-J(018)	1		03420026	0.000
Item	Subject	No.	Quality	Standard	Id. no.	Weight
<small>Dimensions if not otherwise indicated</small> <small>Weight in kg.</small>		DENKA•LIFT <small>Højvang 5, DK-4300 Høbbek - Phone: +45 59455500 Fax: +45 59442155</small>		<small>Scale</small> <small>0.600</small> <small>Format</small> <small>A2</small>	<small>Supersedes drawing no.</small> <small>Supersedes by drawing no.</small>	<small>Approved by</small> <small>PHL 07-Apr-03</small>
<small>May not be copied or used unless authorized by DENKA LIFT A/S</small>		Ladekabel i kpl. øvrige udlænd		Ladekabel DK	03420030	